

ANDON-KYO

LED Path Light . Andon Series



Product Features

- Traditional Japanese style lantern.
- ETL outdoor wet location listed.
- Provides gentle glow through traditional "WASHI" pattern acrylic shade.
- Portable lantern style (TYPE-RB) is built with rechargeable lithium ion battery.
- Static style (TYPE-SF and BF) comes in 12V or line voltage models.

Specification

Materials:

Frame and base-- Machined from billet 6061-T6 corrosion resistant aluminum with 304 stainless steel hardware. Available in 304/316 stainless steel or 360 brass upon request.

Lamp shade--Acrylic panel in Washi paper style.

Voltage: 12V 120V or 230V.

Wattage: 5W LED.

Dimmability: Consult factory.

Finish: Polyester powder coat on all aluminum materials with RoHS compliant procedures. Anodized finish is available. Stainless steel and brass models are provided with brushed surface.

Ordering Guide

EXAMPLE: ANDON-KYO - SF - 120V - 5W - 2700K - BK
ANDON-KYO - SF - 12V - 5W - 2700K - BK

SERIES	TYPE	VOLTAGE	WATTAGE	CCT	FINISH
ANDON-KYO	-	-	5W	2700K	-
	SF Side Feed	12V			Standard
	BF Bottom Feed	120V			BK Black Powder Coat
	RB Rechargeable Battery	230V			BZ Bronze Powder Coat
					WT White Powder Coat
					Premium
					ABK Anodized Black
					ACL Anodized Clear

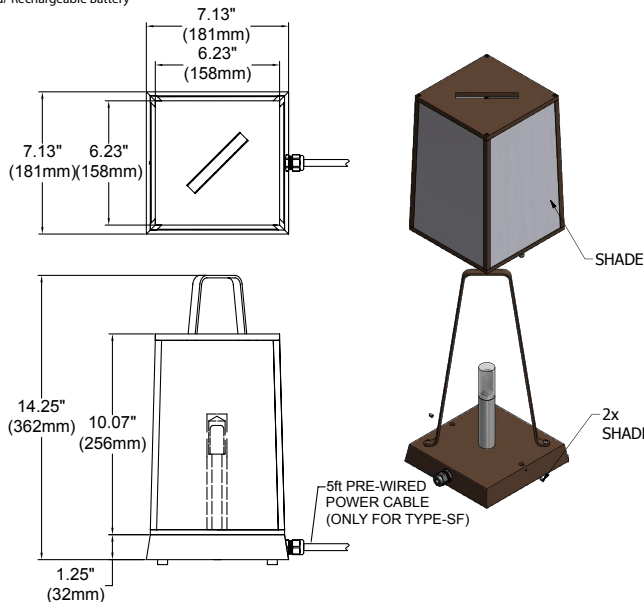
Remote Step Down Transformer for 12V fixture (Optional).
See "Accessories" link for detailed specification.

Model	Wattage(VA)	Primary Voltage(VAC)	Secondary Volt(VAC)	Dimming Method	Characters
-	-	-	-	-	-
TXM	20 40 60 100 150 300	120 or 277	12	MLV	Outdoor, Wall Mount, Compact
TXS	150 300 600	120	Multi-tap of 12, 13, 14, 15 VAC	MLV	Outdoor, Wall mount, Stainless Steel Case
IGT	50(120V only) 100 300 600	120 or 277	12	MLV	in grade
TXE	60	120, 230, or 277	12	ELV	Needs Enclosure, 6ft working distance

Product Drawings

NOTE: Specification and dimensions subject to change without notice.

ANDON-KYO-SF/RB
Side Feed/ Rechargeable Battery



ANDON-KYO-BF
Bottom Feed

