

ZXL08-DLR

LED Ceiling Mount · ZX08 Series



Product Features

- Compact recessed downlight for shallow space installation, such as metal or vinyl tubes.
- ETL outdoor wet location listed. IP65 standard.
- Machined from solid billet 6061-T6 corrosion resistant aluminum.

Specification

Materials: Machined from billet 6061-T6 corrosion resistant aluminum with 304 stainless steel hardware. Available in 304/316 stainless steel or 360 brass upon request.

Voltage: 12V AC/DC. Requires remote step down transformer.

Wattage: 3W HK LED.

Light Source: CRI 83. Available in CRI95 upon request. The chromaticity range is within a 3-step McAdam Ellipse. Standard CCT options are 2700K, 3000K, 4000K.

Dimmability: MLV or ELV.

Finish: Polyester powder coat on all aluminum materials with RoHS compliant procedures. Anodized finish is available.

Optical Accessories: Accepts up to 2 accessories (hexcel louver, optical lenses, dichroic color filters, etc.). Secured in place with metal snap ring.

Ordering Guide

EXAMPLE: ZXL08-DLR - 12V - 3 - 27 - 19 - BK - LVR

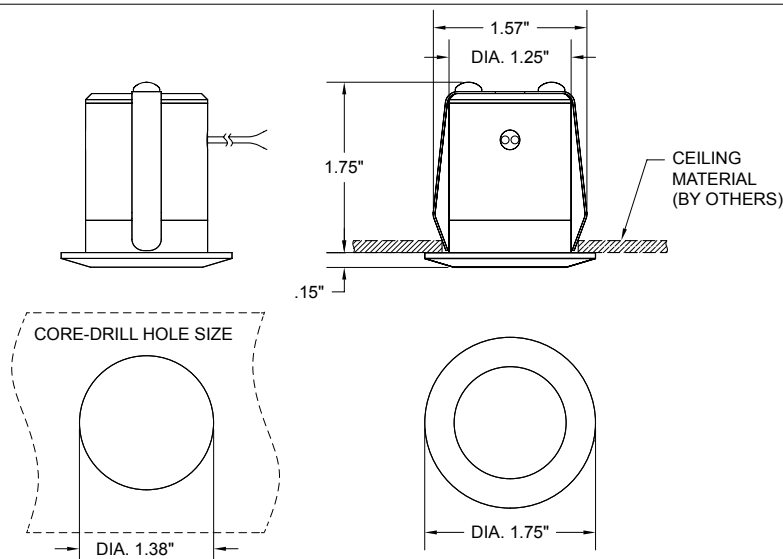
SERIES	MATERIAL	VOLTAGE	WATTAGE	CCT	OPTICS	FINISH	OPTIONAL, SELECT UP TO 2 OPTIC ACCESSORIES
ZXL08-DLR	-	12V	-	-	-	-	-
	BLANK Aluminum(Standard)		3 3W	27 2700K	19 19°	Standard	LVR Hexcel Louver
	NBR Natural Brass			30 3000K	26 26°	BK Black Powder Coat	OSL Overall Spread Lens
	NSS Natural Stainless Steel			40 4000K	51 51°	BZ Bronze Powder Coat	LSL Linear Spread Lens
	CU Natural Copper					WT White Powder Coat	SOL Solite Soft Focus
						Premium	DF Dichroic Filter
						ABK Anodized Black	
						ACL Anodized Clear	
						CC Custom Powder Coat	

Remote Step Down Transformer (Optional). See "Accessories" link for detailed specification.

Model	Wattage(VA)	Primary Voltage(VAC)	Secondary Volt(VAC)	Dimming Method	Characters
-	-	-	-	-	-
TXM	20 40 60 100 150 300	120 or 277	12	MLV	Outdoor, Wall Mount, Compact
TXS	150 300 600	120	Multi-tap of 12, 13, 14, 15 VAC	MLV	Outdoor, Wall mount, Stainless Steel Case
IGT	50(120V only) 100 300 600	120 or 277	12	MLV	in grade
TXE	60	120, 230, or 277	12	ELV	Needs Enclosure, 6ft working distance

Product Drawings

NOTE: Specification and dimensions subject to change without notice.

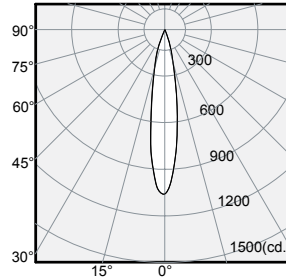


Photometry & Energy Data

MODEL ZXL08-DLR-3W-N

Input Power	2.97W
Color Temperature (CCT)	3000K
Color Rendering Index (Ra)	80
Beam Angle	18.4°
Max. Candlpower	1037cd
Delivered Lumens	171lm
Efficacy	57lm/W

Polar Graph - Intensity



Cone of Light - Illuminance

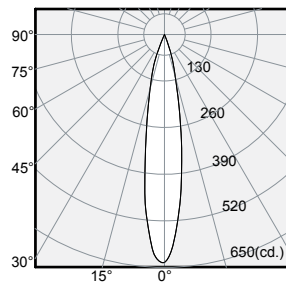
Center Beam (fc)	Beam Diameter	Distance
259	0.6'	2.0'
65	1.3'	4.0'
29	1.9'	6.0'
16	2.6'	8.0'
10	3.2'	10.0'

1/2 Beam Angle: 18.4°

MODEL ZXL08-DLR-3W-M

Input Power	2.98W
Color Temperature (CCT)	3000K
Color Rendering Index (Ra)	80
Beam Angle	25.4°
Max. Candlpower	636cd
Delivered Lumen	169lm
Efficacy	56lm/W

Polar Graph - Intensity



Cone of Light - Illuminance

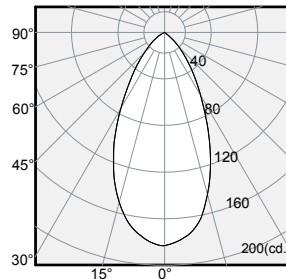
Center Beam (fc)	Beam Diameter	Distance
159	0.9'	2.0'
40	1.8'	4.0'
17	2.7'	6.0'
10	3.6'	8.0'
6	4.5'	10.0'

1/2 Beam Angle: 25.4°

MODEL ZXL08-DLR-3W-W

Input Power	3.0W
Color Temperature (CCT)	3000K
Color Rendering Index (Ra)	80
Beam Angle	50.9°
Max. Candlpower	183cd
Delivered Lumen	157lm
Efficacy	53lm/W

Polar Graph - Intensity



Cone of Light - Illuminance

Center Beam (fc)	Beam Diameter	Distance
46	1.9'	2.0'
11	3.8'	4.0'
5	5.7'	6.0'
3	7.6'	8.0'
2	9.5'	10.0'

1/2 Beam Angle: 50.9°

Wattage Multiplier Table

Wattage	Multiplier
3Watt	1.00

CCT Multiplier Table

Color Temp.	Multiplier
2700k	0.96
3000k	1.00
4000k	1.03

Notes