

ZXCL-T1-SOi

Path Light . ZXCL Series



Product Features

- Unique 24" tall teak wood path light.
- ETL outdoor wet location listed. IP67 standard.
- Adjustable aiming angle.
- Field changeable SORAA LED lamp and accessories.

Specification

Materials:

Housing/Cap/Stem: Machined from billet 6061-T6 corrosion resistant aluminum with 304 stainless steel hardware.
Stem: Teak Wood/ Machined Aluminum plate.

Light Source: MR16 Halogen lamp or MR16 SORAA® LED lamp. Please refer to [SORAA MR16 GU5-3](#) for lamp selection.

Voltage: 12V AC/DC. Requires remote step down transformer.

Wattage: Max. 9W for SORAA MR16 LED lamp .

Lamp Base/Socket: Standard bi-pin socket for GU5.3/G4/ GX5.3/GY6.35/GZ4.

Dimmability: MLV or ELV. Please refer to website for SORAA® MR16 dimmer compatibility. [SORAA MR16 dimmer compatibility](#).

Finish: Polyester powder coat on all aluminum materials with RoHS compliant procedures. Anodized finish is available. Stainless steel and brass models are provided with brushed surface.

Optical Accessories: Accepts up to 2 accessories (hexcel louver, optical lenses, dichroic color filters, etc.).

Ordering Guide

EXAMPLE: ZXCL-T1-SOi - 12V - 00917 - BK - LVR - 24"

SERIES	VOLTAGE	OPTIONAL LAMP	FINISH	OPTIONAL SELECT UP TO 2 OPTIC ACCESSORIES	EXTENSION SIZE(L)
ZXCL-T1-SOi	12V				
SORAA*		0--NONE	Standard BK Black Powder Coat BZ Bronze Powder Coat WT White Powder Coat	LVR Hexcel Louver OSL Overall Spread Lens LSL Linear Spread Lens SOL Solite Soft Focus DF Dichroic Filter	24" 36"
		XXXXX SORAA* LAMP CODE (5 DIGIT SORAA CAT. NO*)	Premium ABK Anodized Black ACL Anodized Clear CC Custom Powder Coat		

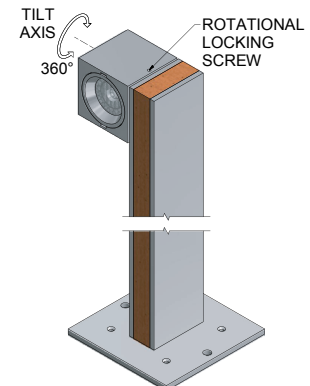
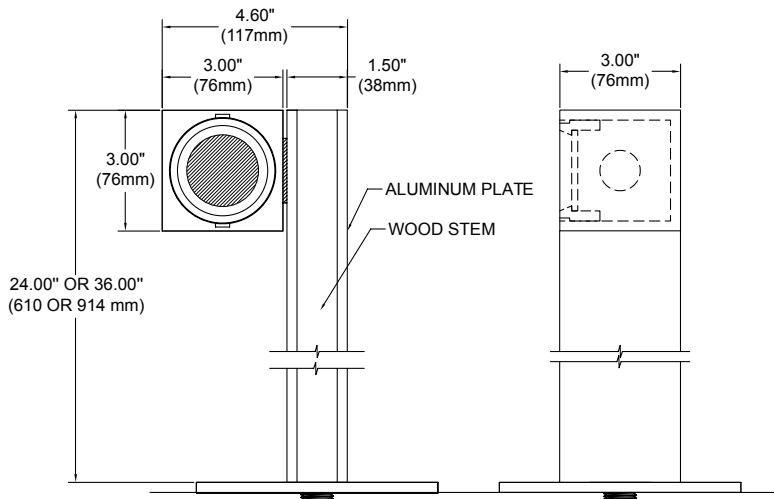
SORAA Lamp Selection :
[SORAA MR16 GU5-3](#)

Remote Step Down Transformer (Optional).
See "[Accessories](#)" link for detailed specification.

Model	Wattage(VA)	Primary Voltage(VAC)	Secondary Volt(VAC)	Dimming Method	Characters
	-	-			
TXM	20 40 60 100 150 300	120 or 277	12	MLV	Outdoor, Wall Mount, Compact
TXS	150 300 600	120	Multi-tap of 12, 13, 14, 15 VAC	MLV	Outdoor, Wall mount, Stainless Steel Case
IGT	50(120V only) 100 300 600	120 or 277	12	MLV	in grade
TXE	60	120, 230, or 277	12	ELV	Needs Enclosure, 6ft working distance

Product Drawings

NOTE: Specification and dimensions subject to change without notice.



Photometry & Energy Data

All SORAA® MR16 GU5.3 base lamps can be used in this fixture.
Please refer to SORAA® website: [SORAA MR16 GU5-3](#)

Notes