

PATH-STAN

LED Path Light . STAN Series



IP67



Product Features

- Compact, modern LED path light.
- Wide flood distribution.
- ETL outdoor wet location listed. IP67 standard.
- Adjustable fixture head with flood distribution.

Specification

Materials: Machined from billet 6061-T6 corrosion resistant aluminum with 304 stainless steel hardware. Available in 304/316 stainless steel or 360 brass upon request.

Light Source: CRI 83. Available in CRI95 upon request. The chromaticity range is within a 3-step McAdam Ellipse. Standard CCT options are 2700K, 3000K, 4000K.

Finish: Polyester powder coat on all aluminum materials with RoHS compliant procedures. Anodized finish is available. Stainless steel and brass models are provided with brushed surface.

Voltage: 12V AC/DC. Requires remote step down transformer.

Dimmability: MLV or ELV.

Wattage: 5 or 7 W HK LED.

Ordering Guide

EXAMPLE: PATH-STAN - 12V - 7 - 27 - BK - 12"

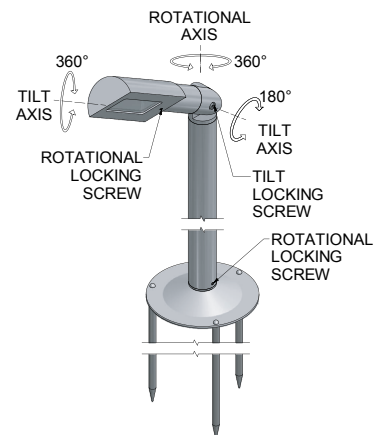
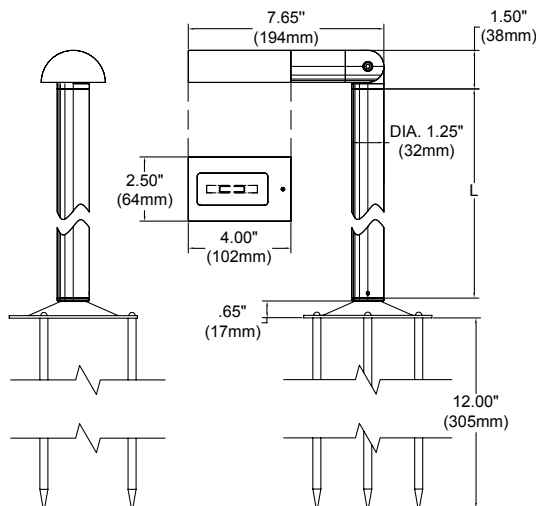
SERIES	MATERIAL	VOLTAGE	WATTAGE	CCT	FINISH	EXTENSION SIZE(L)
PATH-STAN		12V				
BLANK	Aluminum(Standard)		5 5W	27 2700K	Standard	12"
NBR	Natural Brass		7 7W	30 3000K	BK Black Powder Coat	24"
NSS	Natural Stainless Steel			40 4000K	BZ Bronze Powder Coat	30"
CU	Natural Copper				WT White Powder Coat	
					Premium	
					ABK Anodized Black	
					ACL Anodized Clear	
					CC Custom Powder Coat	

Remote Step-Down Transformer (Optional).
See "[Accessories](#)" link for detailed specification.

Model	Wattage(VA)	Primary Voltage(VAC)	Secondary Volt(VAC)	Dimming Method	Characters
TXM	20 40 60 100 150 300	120 or 277	12	MLV	Outdoor, Wall Mount, Compact
TXS	150 300 600	120	Multi-tap of 12, 13, 14, 15 VAC	MLV	Outdoor, Wall mount, Stainless Steel Case
IGT	50(120V only) 100 300 600	120 or 277	12	MLV	In-grade
TXE	60	120, 230, or 277	12	ELV	Needs Enclosure, 6ft working distance

Product Drawings

NOTE: Specification and dimensions subject to change without notice.

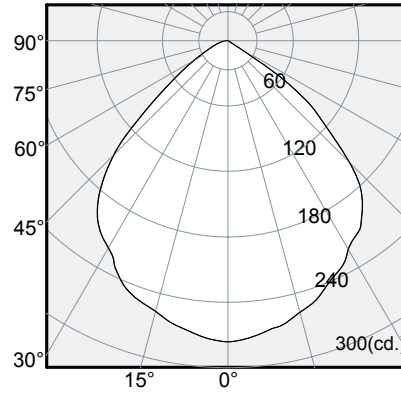


Photometry & Energy Data

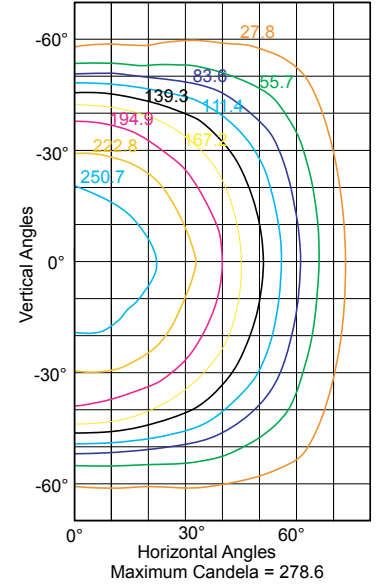
MODEL PATH-STAN-7W

Input Power	7.41W
Color Temperature (CCT)	3000K
Color Rendering Index (Ra)	83
Beam Angle	97.5°
Max. Candlepower	278cd
Delivered Lumen	607lm
Efficacy	81 lm/W

Polar Graph - Intensity



Isocandela Curves



Wattage Multiplier Table
(Taken from IES of the ZXLF-STAN-10W)

Wattage	Multiplier
5Watt	0.53
7Watt	0.77

CCT Multiplier Table

Color Temp.	Multiplier
2700K	0.96
3000K	1.00
4000K	1.03

Notes