

ZPLLA-I

(CMBL-SQ-4.5X2.25X24 and CMBL-SQ-4.5X2.25X36 models)

PATH & BOLLARD | ZPLLA Series | 4.25"

8W (500lm) | 120 - 277V | HK LED, Amber

FEATURES

- Aesthetic custom bollard fixture with forward throw.
- Anti-corrosion treated aluminum alloy.
- UV stablized lens.
- Ozone, aging and weather resistant silicone shore 70 and 40 O-rings are used to hermetically seal and protect the fixture.
- Stainless steel hardware
- IP65 rating



Custom LAX LED Bollard Fixture: ZPLLA-IS1-AAC-24-S



Custom LAX LED Bollard Fixture: ZPLLA-IS1-AAC-36-B

SPECIFICATIONS

Materials - Housing/Stem

Anti-corrosion treated aluminum. SS304 hardware. UV stablized plastic lens

Finish

Polyester coating with chromate.
Conversion substrate surface. (*Custom colors available, please contact factory*)

Voltage

120~277V AC with Integral LED driver.

Wattage

8W

Light Engine

Nichia LED. Standard CCT options are 2700, 3000, 3500, 4000K.

Dimming

Phase dimming @120VAC only
0-10V @120-277VAC.

ORDERING GUIDE

EXAMPLE: ZPLLA-IS1-AAC-UNIV08W-27-24-S

MODEL	PHYSICAL OPTIONS	MATERIAL /FINISH	POWER	LIGHT	HEIGHT	
ZPLLA ZPLLA Series Commercial Aimable Path Light Integrated HK LED	IS1 TYPE IS1 Line Voltage, Single Light	ABL Aluminum Black ABR Aluminum Bronze AWH Aluminum White AAC Aluminum Anodized Clear ¹ NBR Natural Brass ¹ NCU Natural Copper ¹ NSS Natural Stainless Steel ¹ CCC Custom Finish ¹	UNIV VOLTAGE UNIV 120-277V (0-10V)	WATTAGE TOTAL 08W 8 Watts SPW Specialty ²	CCT 27 2700K 30 3000K 35 3500K 40 4000K AM Amber ² CC Custom LED	24 24" 36 30" CC Custom

¹ Consult factory for specialty finish quoting and lead times.

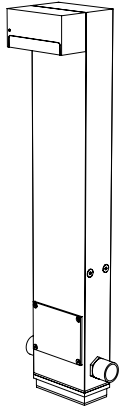
² For Specialty AM (Amber LED), select SPW (Specialty) for Wattage. Consult factory for LED technical details before Specification or Order.

POWER LEAD OPTIONS

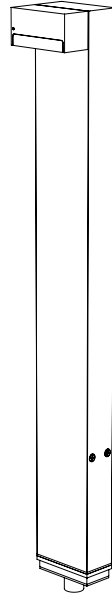
OPTIONAL	
B	Bottom
S	Side

Notes:

PRODUCT DRAWINGS

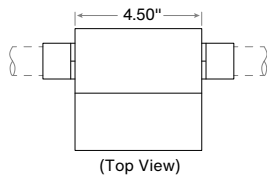


ZPLLA-IS1-24
Side Entries

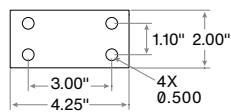
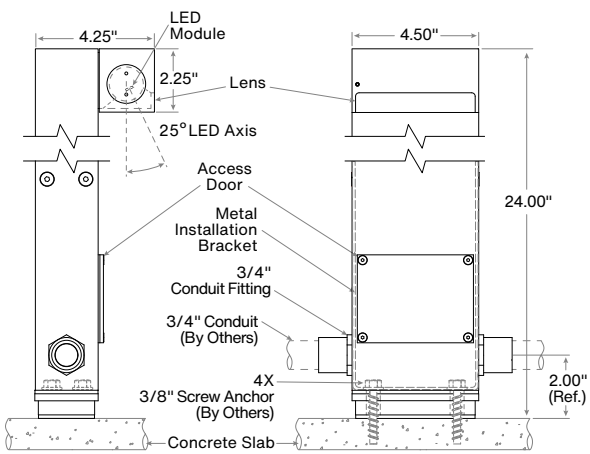
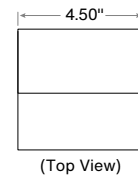


ZPLLA-IS1-36
Bottom Entry

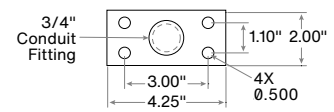
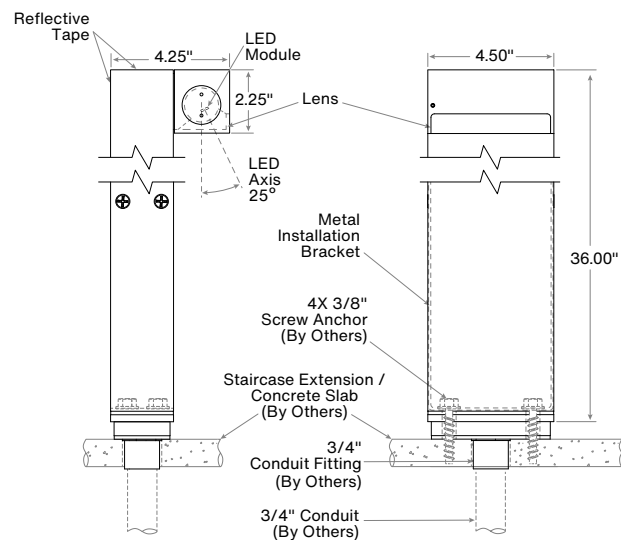
ZPLLA-IS1-24-S



ZPLLA-IS1-36-B



Mounting Plate
(Bottom View)



Mounting Plate
(Bottom View)