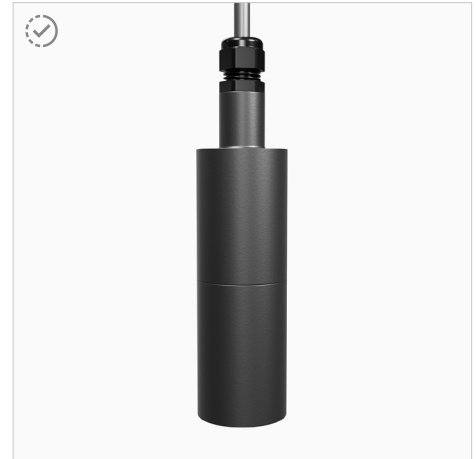


# ZHL11

(includes former ZXL11-H-NF and ZXL11-H models)

HANGING & CATENARY | ZH11 Series | DIA 1.65"  
 5 - 7W ( 450 - 675lm ) | 12V | HK LED, Amber, RGB



Standard Hanging LED Light: ZHL11-0R1SS1 in Black



Finned Hanging LED Light: ZHL11-0R1FS1 in Bronze

## FEATURES

- Aesthetic and high performing compact hanging light, perfect for architectural outdoor and landscape lighting environments.
- 5W, 7W integrated HK LED delivering 450 to 675 lumens. 2200-4000K CCT, including specialty Amber and RGB options.
- Wet Location Listed, IP65 Standard.
- Machined from solid aircraft grade (6061-T6), corrosion-resistant aluminum, then anodized and powder coated to create a highly durable, marine grade finish. Also available in solid brass or stainless steel.
- Modular components, field changeable LED optical beams, and lenses.
- Available with adjustable Long and Short Glare Shields
- Hanging light ships standard with 60" power cable or can be ordered in any custom length. Power cord can easily affix to tree branches or beams or installed with coordinating canopy plate.
- Every fixture tested end of line for water tightness and light quality.
- Readymade eligible configurations ship in 2 to 4 weeks, complete with selected accessories installed.

## SPECIFICATIONS

<p><b>Materials</b>          Machined from billet 6061-T6 corrosion resistant aluminum with 304 stainless steel hardware. Available in 304/316 stainless steel or 360 brass upon request.</p> <p><b>Finish</b>          Aluminum materials are first anodized and then powder coated for a robust, marine grade finish. Stainless steel and brass models are provided with brushed surface.</p> <p><b>Fixture Weight</b>          1 lb</p> <p><b>Glare Shield</b>          Set screw adjustable, Short or Long Glare Shields. (See page 4 for details)</p>	<p><b>Voltage</b>          12V AC/DC. Requires remote step down transformer.</p> <p><b>Wattage</b>          5 or 7W HK LED delivers 450 to 675 lumens.</p> <p><b>Light Engine</b>          Innovative HK LED Light module operates like a lamp and can be easily changed in the field. CRI 90 Standard. Available in CRI 80 or CRI 95 upon request. Standard CCT options are 2700K, 3000K, 3500K, 4000K. Specialty 2200K, 2400K, 2500K, Amber, and RGB options available. Consult factory for specialty LED specification details.</p> <p><b>Dimming</b>          MLV or ELV Phase Control dimming.</p>	<p><b>Optics</b>          Narrow (29°), Medium (40°), Wide (57°) beam spread options available. Accepts up to 3 optical accessories (hexcel louver, optical lenses, dichroic color filters, etc.) Secured place with metal snap ring.</p> <p><b>Mounting</b>          Mounts to tree branches or wood beams using available screw-mount cable ties or select coordinating canopy plate surface/ box for pendant application. Fixture ships with 60" 18/2 SJTW power cable. Custom hanging lengths also available.</p>
--	---	---

## ORDERING GUIDE

EXAMPLE: ZHL11-0R1SS1-ABL-012V05W-27M-60-GSL-SOL-CM1-ABL

MODEL	PHYSICAL OPTIONS			MATERIAL / FINISH			POWER		LIGHT			WIRE LEAD	
<b>ZHL11</b>	<b>OR1</b>						<b>012V</b>						
ZH11 Series 1.65" Hanging Light Integrated HK LED	<b>TYPE</b>	<b>STYLE</b>	<b>HOOD STYLE</b>	<b>ABL</b> Aluminum Black	<b>ABR</b> Aluminum Bronze	<b>AWH</b> Aluminum White	<b>VOLTAGE</b>	<b>WATTAGE PER LIGHT</b>	<b>CCT</b>	<b>OPTICS</b>	<b>LENGTH</b>		
	<b>OR1</b> Low Voltage, Round Single Light	<b>S</b> Standard <b>F</b> Finned	<b>S1</b> Standard Accent Style <b>SC</b> Standard Accent Style, Custom	<b>AAC</b> Aluminum Anodized Clear <sup>1</sup>	<b>NBR</b> Natural Brass <sup>1</sup>	<b>NCU</b> Natural Copper <sup>1</sup>	<b>012V</b> 12V AC	<b>05W</b> 5 Watts (450lm) <b>07W</b> 7 Watts (675lm) <b>SPW</b> Specialty <sup>2</sup>	<b>22</b> 2200K <b>24</b> 2400K <b>25</b> 2500K <b>27</b> 2700K <b>30</b> 3000K <b>35</b> 3500K <b>40</b> 4000K <b>AM</b> Amber <sup>2</sup> <b>RG</b> RGB <sup>2</sup>	<b>N</b> Narrow (29°) <b>M</b> Medium (40°) <b>W</b> Wide (57°) <b>CC</b> Custom Optic	<b>60</b> 60" <b>XX</b> Custom <sup>3</sup>		

■ Readymade eligible configurations ship in 2 to 4 weeks

<sup>1</sup> Consult factory for specialty finish quoting and lead times

<sup>2</sup> For Specialty AM (Amber LED) and RG (RGB LED), select SPW (Specialty) for Wattage. Consult factory for LED technical details before Specification or Order.

<sup>3</sup> Include desired Wire Lead Length in inches.

## OPTIONAL INSTALLED ACCESSORIES

GLARE SHIELD	OPTIC	MOUNTING (Most common listed, see Page 4 for additional options)
<b>GSL</b> Glare Shield Long <b>GSS</b> Glare Shield Short	<b>LVR</b> Hexcel Louver <b>OSL</b> Overall Spread Lens <b>LSL</b> Linear Spread Lens <b>SOL</b> Solite Soft Focus <b>DCF</b> Dichroic Filter	<b>CANOPY MOUNT</b> <b>CM1-XXX</b> 3.75" Square Canopy Plate <b>CM3-XXX</b> 4.75" Square Canopy Plate <b>CM5-XXX</b> 5" Round Canopy Plate <b>CM5-2-XXX</b> 5" Round Canopy Plate - Double <b>SURFACE MOUNT</b> <b>CMLJ-XXX</b> 2.7" Round Surface Box <b>CB4.0-XXX</b> 4" Round Surface Box <b>CB5.5-XXX</b> 5.5" Round Surface Box <b>CABLE TIE</b> <b>CBT-08-BLK</b> 8" Black Cable Tie

## ADDITIONAL ACCESSORIES (Not installed at time of order)

GLARE SHIELD ACCESSORIES	OPTIC ACCESSORIES
<b>GSL-11-XXX</b> Glare Shield Long <b>GSS-11-XXX</b> Glare Shield Short	<b>LVR-11</b> Hexcel Louver <b>OSL-11</b> Overall Spread Lens <b>LSL-11</b> Linear Spread Lens <b>SOL-11</b> Solite Soft Focus <b>DCF-11</b> Dichroic Filter <b>OPK-11</b> Optic Kit - Narrow, Medium, Wide

- Consult Accessory Spec Sheet for desired option code.
- XXX represents color option.
- Readymade options available in ABL and ABR only unless noted by the part code above.

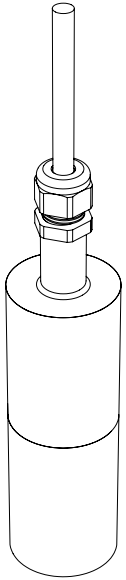
## OUTDOOR MAGNETIC TRANSFORMERS (120V input/12VAC Output)

TRANSFORMERS (Go to [Accessories](#) for detailed specification)

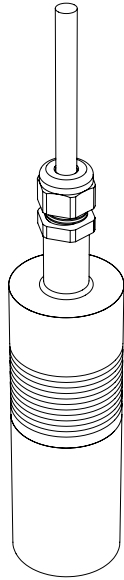
EXAMPLE: TXS-150-SS

MODEL	WATTAGE (VA)	PRIMARY VOLTAGE (VAC)
<b>TXM</b> Stainless steel, wet location outdoor magnetic transformer Multitap   12VAC Output   MLV Dimming	<b>300</b>	<b>OTR-SS</b> (120V Only)
<b>TXS</b> Stainless steel, wet location outdoor magnetic transformer Multitap   12VAC Output   MLV Dimming	<b>150</b> <b>300</b> <b>600</b>	<b>SS</b> (120V Only)
<b>TXM</b> Compact, damp location magnetic transformer 12VAC Output   MLV Dimming	<b>20</b> <b>40</b> <b>60</b> <b>100</b> <b>150</b> <b>300</b>	<b>120</b> <b>277</b>
<b>IGT</b> In ground outdoor magnetic transformer 12VAC Output   MLV Dimming	<b>50</b> (120V Only) <b>100</b> <b>300</b> <b>600</b>	<b>120</b> <b>277</b>
<b>TXE</b> In-fixture or near mounted electronic transformer 12VAC Output   ELV Dimming   Enclosure by others	<b>60</b>	<b>120</b> <b>277</b>

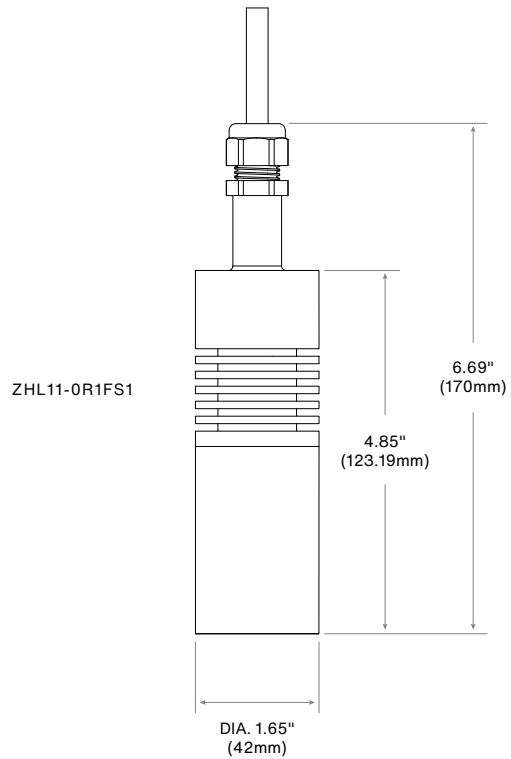
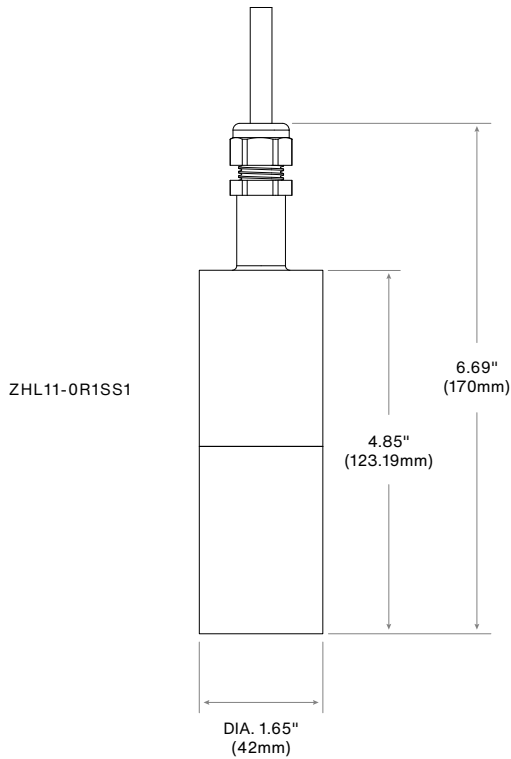
**PRODUCT DRAWINGS**



**ZHL11-OR1SS1**  
Standard

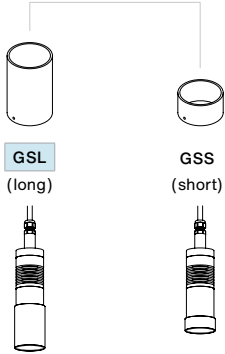


**ZHL11-OR1FS1**  
Finned



**OPTIONS & ACCESSORIES**
**OPTIONAL GLARE SHIELD**

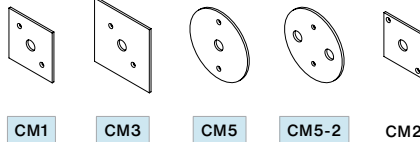
For Use with Hanging Hood,  
Fastened with Set Screw


**MOUNTING ACCESSORIES**

Canopy  
Mount:



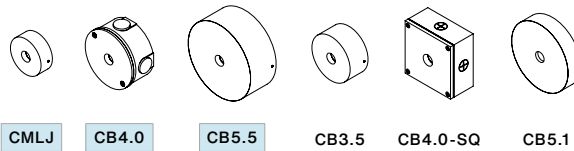
Fixture On CM5



Surface  
Mount Box:



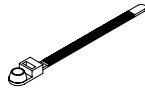
Fixture On CB5.1



Screw-Mount  
Cable Ties:



Fixture Using CBT-08-BLK



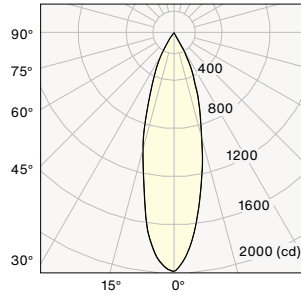
CBT-08-BLK

■ Readymade eligible configurations ship in 2 to 4 weeks.

Notes:

**PHOTOMETRY & ENERGY DATA**
**ZHL11 (Narrow)**

Input Power	8.1W
Color Temperature (CCT)	3000K
Color Rendering Index (Ra)	80
Beam Angle	28.7°
Max. Candlepower	1964cd
Delivered Lumens	636lm
Efficacy	78lm/W

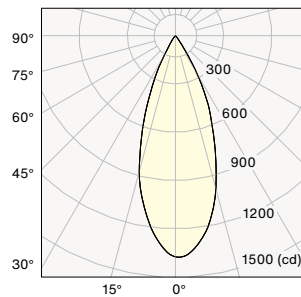
**Polar Graph - Intensity**

**Cone of Light - Illuminance**

Center Beam (fc)	Beam Diameter	Distance
491	1.0'	2.0'
123	2.0'	4.0'
55	3.0'	6.0'
31	4.0'	8.0'
20	5.0'	10.0'

1/2 Beam Angle: 28.7°

**ZHL11 (Medium)**

Input Power	8.1W
Color Temperature (CCT)	3000K
Color Rendering Index (Ra)	80
Beam Angle	39.2°
Max. Candlepower	1383cd
Delivered Lumens	632lm
Efficacy	78lm/W

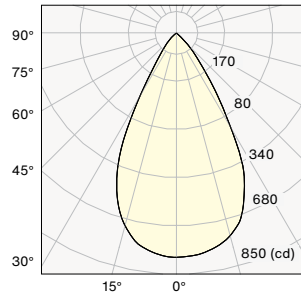
**Polar Graph - Intensity**

**Cone of Light - Illuminance**

Center Beam (fc)	Beam Diameter	Distance
346	1.4'	2.0'
86	2.9'	4.0'
38	4.3'	6.0'
22	5.7'	8.0'
14	7.1'	10.0'

1/2 Beam Angle: 39.2°

**ZHL11 (Wide)**

Input Power	8.1W
Color Temperature (CCT)	3000K
Color Rendering Index (Ra)	80
Beam Angle	56.9°
Max. Candlepower	811cd
Delivered Lumens	675lm
Efficacy	83lm/W

**Polar Graph - Intensity**

**Cone of Light - Illuminance**

Center Beam (fc)	Beam Diameter	Distance
203	2.2'	2.0'
135	4.3'	4.0'
23	6.5'	6.0'
13	8.7'	8.0'
8	10.8'	10.0'

1/2 Beam Angle: 56.9°

**WATTAGE MULTIPLIER**

Wattage	Multiplier
5 Watt	0.67
7 Watt	1.00

**CCT MULTIPLIER**

Color Temp.	Multiplier
2700k	0.96
3000k	1.00
4000k	1.03