

ZSLFM-I

(includes former ZXLi-SL-FM model)

STEP & IN GROUND | ZSLFM Series | 4.25" X 1.50"
 4W (135lm) | 120V - 277V | HK LED, Amber



Line voltage Flush Mount Step Light: ZSLFM-IL141-ABR

FEATURES

- Versatile line voltage, 120V- 277V LED, flush mount step light for use in a range of hardscape and architectural outdoor lighting applications.
- 4W integrated HK LED delivers 135 lumens. 2700 - 4000K CCT, including specialty Amber option.
- Wet Location Listed, IP65 Standard.
- Machined from solid aircraft grade (6061-T6), corrosion-resistant aluminum, then anodized and powder coated to create a highly durable, marine grade finish. Also available in solid brass or stainless steel.
- True flush mount capable with included recessed junction box and adjustable depth flange.
- Every fixture tested end of line for water tightness and light quality.
- Readymade eligible configurations ship in 2 to 4 weeks, complete with selected accessories installed.



ZSLFM-IL141-ABR installed profile

SPECIFICATIONS

| | | |
|---|--|--|
| <p>Materials</p> <p>Machined from billet 6061-T6 corrosion resistant aluminum with 304 stainless steel hardware. Available in 304/316 stainless steel or 360 brass upon request.</p> <p>Finish</p> <p>Aluminum materials are first anodized and then powder coated for a robust, marine grade finish. Stainless steel and brass models are provided with brushed surface.</p> | <p>Voltage</p> <p>120V - 277V AC.</p> <p>Wattage</p> <p>4W HK LED delivers 135 lumens.</p> <p>Light Engine</p> <p>Innovative HK LED light engine. CRI 90 Standard. Available in CRI 80 or CRI 95 upon request. Standard CCT options are 2700K, 3000K, 3500K, 4000K. Amber option available. Consult factory for specialty LED specification details.</p> <p>Dimming</p> <p>Non dimmable.</p> | <p>Optics</p> <p>Includes Solite Soft Focus lens for smooth, even distribution of light.</p> <p>Mounting</p> <p>Mounts directly in wall or architectural material. Includes recessed housing, junction box, for mounting and wiring. Adjustable flange ensures flush installation into stucco, stone, wood, and other materials.</p> <p>Listings</p> <p>ETL Listed for Wet Location, IP67 Standard. RoHS Compliant.</p> |
|---|--|--|

ORDERING GUIDE

EXAMPLE: ZSLFM-IL141-ABL-120V04W-27

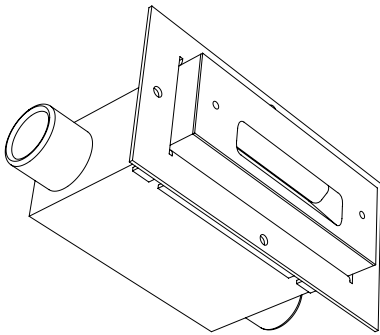
| MODEL | PHYSICAL OPTIONS | | | MATERIAL / FINISH | | POWER | | LIGHT | |
|--|--|---------------|---------------|---|--|----------------------------------|-----------------------------------|------------------------------|--|
| ZSLFM | IL1 | 4 | 1 | | | | | | |
| ZSLFM Series 4.25" Flush Mount Step Light Integrated HK LED | TYPE | LENGTH | HEIGHT | ABL Aluminum Black | | VOLTAGE | WATTAGE PER LIGHT | CCT | |
| | IL1 Line Voltage, Linear Single Light Integrated Driver | 4 4.25" | 1 1.5" | ABR Aluminum Bronze | | 120V 120V (Phase Control) | 04W 4 Watts (135lm) | 27 2700K | |
| | | | | AWH Aluminum White | | UNIV 120V-277V (0-10V) | SPW Specialty ² | 30 3000K | |
| | | | | AAC Aluminum Anodized Clear ¹ | | | | 35 3500K | |
| | | | | NBR Natural Brass ¹ | | | | 40 4000K | |
| | | | | NCU Natural Copper ¹ | | | | AM Amber ² | |
| | | | | NSS Natural Stainless Steel ¹ | | | | CC Custom LED | |
| | | | | CCC Custom Finish ¹ | | | | | |

■ Readymade eligible configurations ship in 2 to 4 weeks.

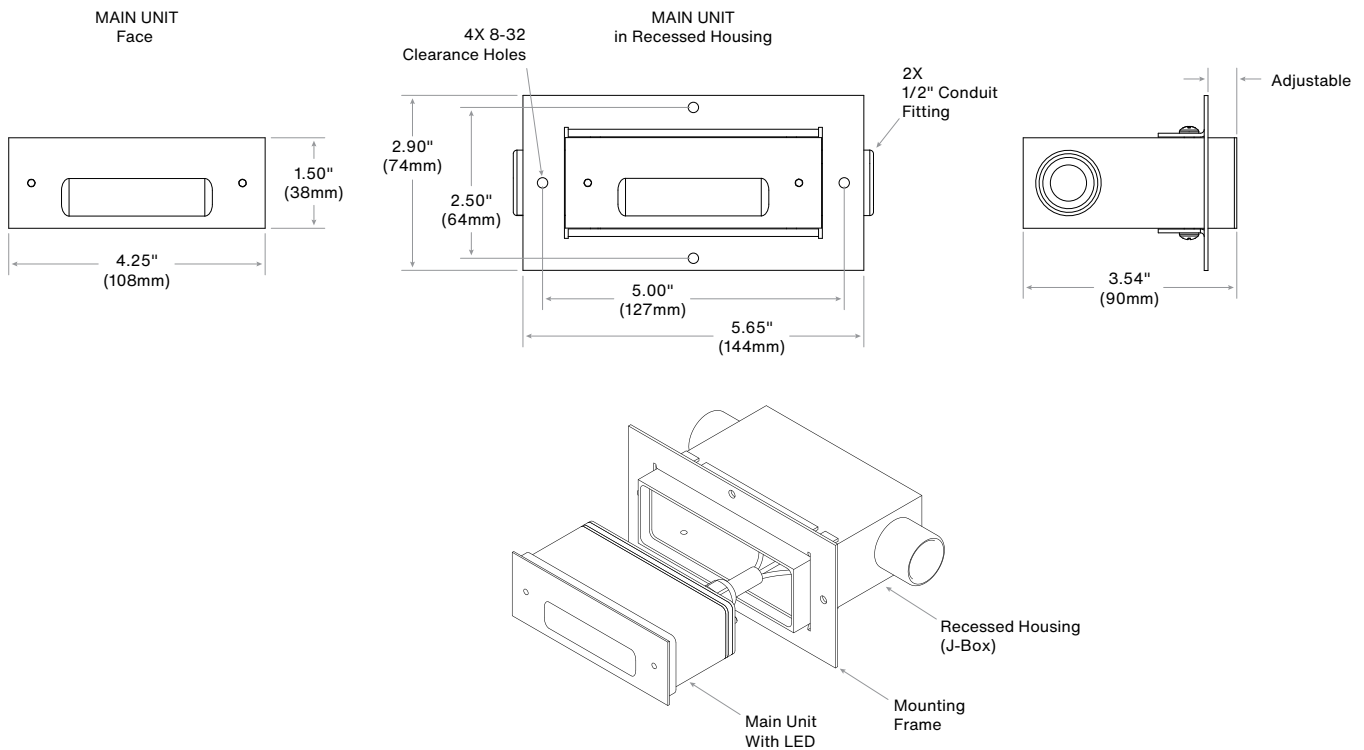
¹ Consult factory for specialty finish quoting and lead times.

² For Specialty AM (Amber LED) and RG (RGB LED), Select SPW (Specialty) for Wattage. Consult factory for LED technical details before Specification or Order.

PRODUCT DRAWINGS

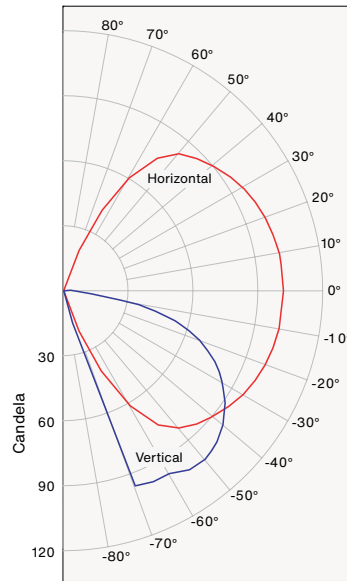
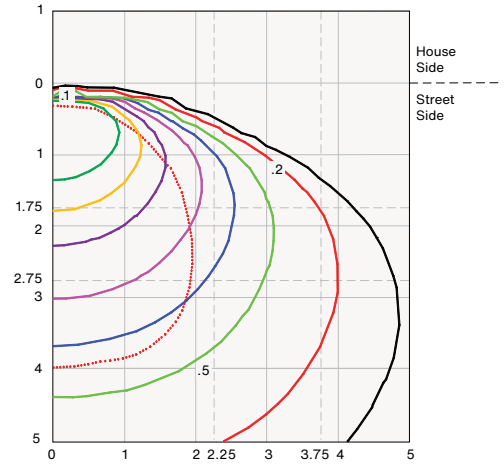


ZSLFM-I
Line Voltage, 120V - 277V



PHOTOMETRY & ENERGY DATA
ZSLFM-I

| | |
|----------------------------|------------|
| Input Power | 4.3W |
| Color Temperature (CCT) | 3000K |
| Color Rendering Index (Ra) | 84 |
| Max. Candela Angle | 0°H, -50°V |
| Max. Candlepower | 101cd |
| Delivered Lumens | 135lm |
| Efficacy | 31lm/W |

Polar Graph - Intensity

Isocandela Lines of Horizontal Illuminance


Distance in Units of Mounting Height
 Values Based on 1 Foot Mounting Height
 1/2 Maximum Candela Trace Shown as Dashed Curve
 (+) = Maximum Candela Point

CCT MULTIPLIER

| Color Temp. | Multiplier |
|-------------|------------|
| 2700k | 0.97 |
| 3000k | 1.00 |
| 4000k | 1.05 |

Notes: