

ZSLFM

(includes former ZXL-SL-FM model)

STEP & IN GROUND | ZSLFM Series | 4.25" X 1.50"
 4W (135lm) | 12V | HK LED, Amber



Low voltage Flush Mount Step Light: ZSLFM-0L141-ABL

FEATURES

- Versatile low voltage, 12V LED, flush mount step light for use in a range of hardscape and architectural outdoor lighting applications.
- 4W integrated HK LED delivers 135 lumens. 2700 - 4000K CCT, including specialty Amber option.
- Wet Location Listed, IP65 Standard.
- Machined from solid aircraft grade (6061-T6), corrosion-resistant aluminum, then anodized and powder coated to create a highly durable, marine grade finish. Also available in solid brass or stainless steel.
- True flush mount capable with included recessed junction box and adjustable depth flange.
- Every fixture tested end of line for water tightness and light quality.
- Readymade eligible configurations ship in 2 to 4 weeks, complete with selected accessories installed.



ZSLFM-0L141-ABL installed profile

SPECIFICATIONS

Materials

Machined from billet 6061-T6 corrosion resistant aluminum with 304 stainless steel hardware. Available in 304/316 stainless steel or 360 brass upon request.

Finish

Aluminum materials are first anodized and then powder coated for a robust, marine grade finish. Stainless steel and brass models are provided with brushed surface.

Voltage

12V AC/DC. Requires remote step down transformer.

Wattage

4W HK LED delivers 135 lumens.

Light Engine

Innovative HK LED light engine. CRI 90 Standard. Available in CRI 80 or CRI 95 upon request. Standard CCT options are 2700K, 3000K, 3500K, 4000K. Amber option available. Consult factory for specialty LED specification details.

Dimming

MLV or ELV Phase Control dimming.

Optics

Includes Solite Soft Focus lens for smooth, even distribution of light.

Mounting

Mounts directly in wall or architectural material. Includes recessed housing, junction box, for mounting and wiring. Adjustable flange ensures flush installation into stucco, stone, wood, and other materials.

Listings

ETL Listed for Wet Location, IP65 Standard. RoHS Compliant.

ORDERING GUIDE

EXAMPLE: **ZSLFM-0L141-ABL-012V04W-27**

MODEL	PHYSICAL OPTIONS			MATERIAL / FINISH		POWER		LIGHT	
ZSLFM	0L1	4	1			012V			
ZSLFM Series 4.25" Flush Mount Step Light Integrated HK LED	TYPE	LENGTH	HEIGHT	ABL	Aluminum Black	VOLTAGE		WATTAGE PER LIGHT	CCT
	0L1 Low Voltage, Linear Single Light	4 4.25"	1 1.5"	ABR	Aluminum Bronze	012V 12V AC		04W 4 Watts (135lm)	27 2700K
				AWH	Aluminum White			SPW Specialty ²	30 3000K
				AAC	Aluminum Anodized Clear ¹				35 3500K
				NBR	Natural Brass ¹				40 4000K
				NCU	Natural Copper ¹				AM Amber ²
				NSS	Natural Stainless Steel ¹				CC Custom LED
				CCC	Custom Finish ¹				

Readymade eligible configurations ship in 2 to 4 weeks.

¹ Consult factory for specialty finish quoting and lead times.

² For Specialty AM (Amber LED) and RG (RGB LED), Select SPW (Specialty) for Wattage. Consult factory for LED technical details before Specification or Order.

OUTDOOR MAGNETIC TRANSFORMERS (120V input/12VAC Output)

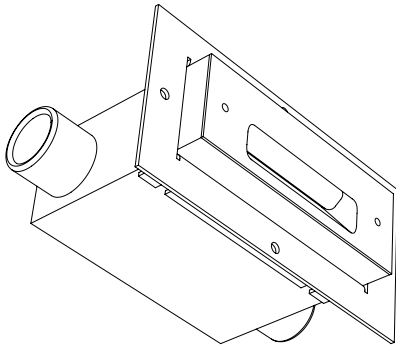
TRANSFORMERS (Go to [Accessories](#) for detailed specification)

EXAMPLE: **TXS-150-SS**

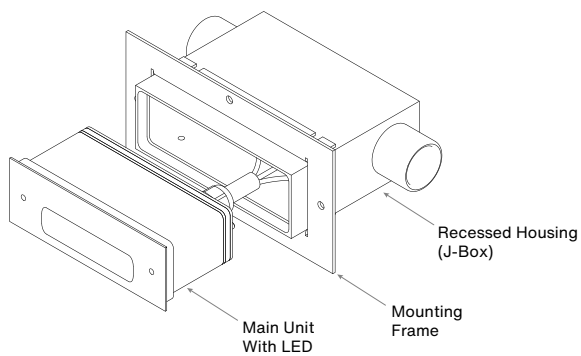
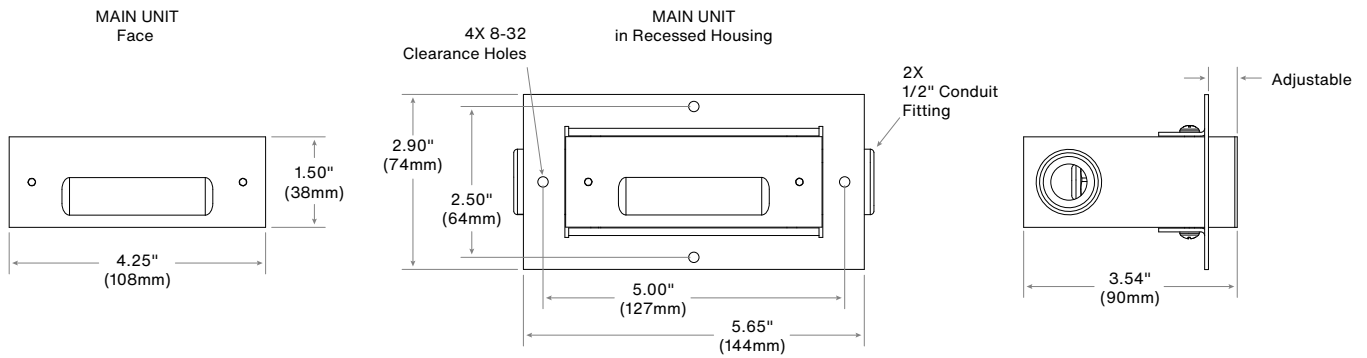
MODEL		WATTAGE (VA)						PRIMARY VOLTAGE (VAC)	
TXM	Stainless steel, wet location outdoor magnetic transformer with integrated light sensor Multitap 12VAC Output MLV Dimming	300						OTR-SS (120V Only)	
TXS	Stainless steel, wet location outdoor magnetic transformer Multitap 12VAC Output MLV Dimming	150	300	600				SS (120V Only)	
TXM	Compact, damp location magnetic transformer 12VAC Output MLV Dimming	20	40	60	100	150	300	120	277
IGT	In ground outdoor magnetic transformer 12VAC Output MLV Dimming	50 (120V Only)			100	300	600	120	277
TXE	In-fixture or near mounted electronic transformer 12VAC Output ELV Dimming Enclosure by others	60						120	277

Notes:

PRODUCT DRAWINGS

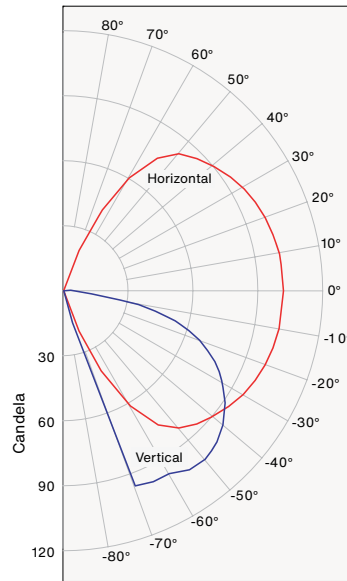
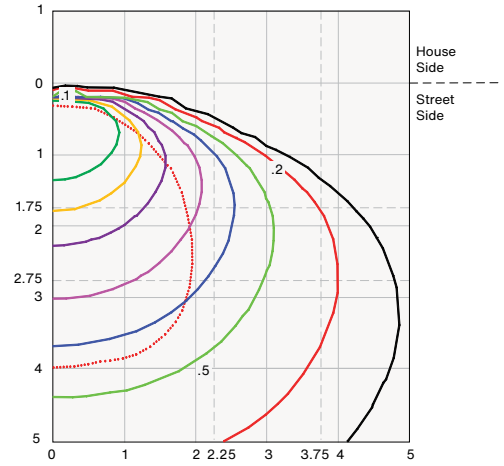


ZSLFM
Low Voltage, 12V



PHOTOMETRY & ENERGY DATA
ZSLFM

Input Power	4.3W
Color Temperature (CCT)	3000K
Color Rendering Index (Ra)	84
Max. Candela Angle	0°H, -50°V
Max. Candlepower	101cd
Delivered Lumens	135lm
Efficacy	31lm/W

Polar Graph - Intensity

Isocandela Lines of Horizontal Illuminance


Distance in Units of Mounting Height
 Values Based on 1 Foot Mounting Height
 1/2 Maximum Candela Trace Shown as Dashed Curve
 (+) = Maximum Candela Point

CCT MULTIPLIER

Color Temp.	Multiplier
2700k	0.97
3000k	1.00
4000k	1.05