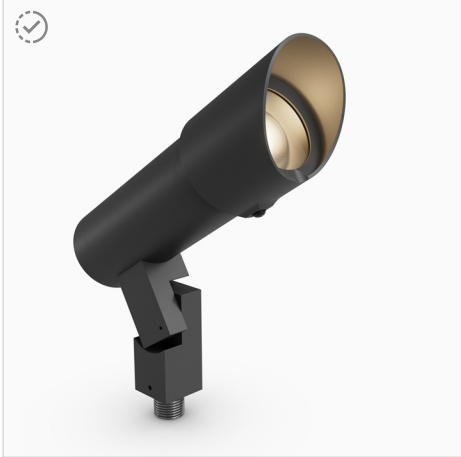


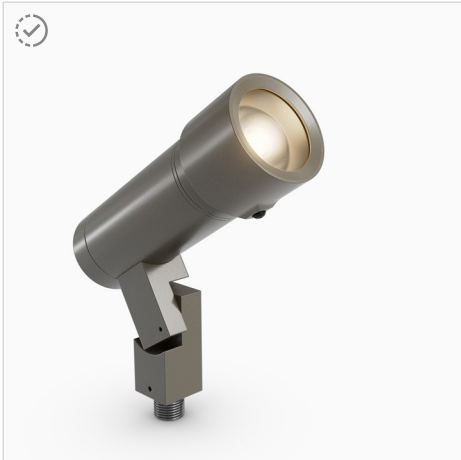
ZXA16-I


IP67

ACCENT & LANDSCAPE | ZX16 Adapt Series | 2.25"
 5 - 10W (500 - 950lm) | 120V - 277V | HK LED



ZXA16 Line Voltage Accent Light with G Style Angled Glare Shield Hood: ZXA16-IR1SG-ABL



ZXA16 Line Voltage Accent Light with F Style Flush Lens Hood: ZXA16-IR1SF-ABR

FEATURES

- Our newest and most versatile directional line voltage (120V - 277V) LED Accent Light, features the Adapt Optic for precise light aiming in architectural outdoor and landscape lighting environments.
- Adapt Optic enables easy beam angle adjustment from 14° to 70° with a quick hood slide, locking securely in place with a set screw for precise and reliable positioning.
- 5W, 7W, 10W integrated HK LED delivers 500 to 950 lumens. 2200-4000K CCT.
- Wet Location Listed, IP67 Standard.
- Machined and anodized aircraft grade aluminum (6061-T6). Powder coated to create a highly durable, marine and natorium grade finish. Also available in solid brass or stainless steel.
- 180° vertical and 360° horizontal adjustment via locking swivel stem design.
- Two weeping hood styles available, integrated Angled Glare Shield or Flush Lens. With less than 1% field light, the Adapt Optic provides superior glare control in both hood options.
- Every fixture tested end of line for water tightness and light quality.
- Readymade eligible configurations ship in 2 to 4 weeks, complete with selected accessories installed.

SPECIFICATIONS

Materials

Machined from solid billet 6061-T6 corrosion resistant aluminum with 304 stainless steel hardware. Available in 304 or 316 stainless steel or 360 brass upon request.

Finish

Aluminum materials are first anodized and then powder coated for a robust, marine and natorium grade finish. Stainless steel and brass models are provided with brushed surface.

Hood Styles

Two weeping hood styles available. The G Style includes an integrated Angled Glare Shield, while the F Style has a Flush Lens, without a glare shield. Both options provide exceptional glare control. (See page 4 for details).

Voltage

120V - 277V AC.

Wattage

5, 7 or 10W HK LED delivering 500 to 950 lumens.

Light Engine

Innovative HK LED Light module operates like a lamp and can be easily changed in the field. CRI 90 Standard. Available in CRI 80 upon request. Standard CCT options are 2700K, 3000K, 3500K, 4000K.

Driver/ Dimming

Onboard, Integrated LED Driver Phase Control @120V, 0V-10V @120V-277V, DALI or DMX control available, consult factory for details.

Optics

The Adapt Optic allows precise beam angle adjustment from a very narrow 14° spotlight to an extra wide 70° flood, locking securely with the hood screw. It maintains less than 1% field light levels, minimizing glare even with the sleek Flush Lens Hood.

Mounting

Mounts using 1/2"-14 NPS male fitting compatible with all HK Lighting mounting accessories. (See page 4 for details).

Listings

UL Listed for Wet Location (UL1838), IP67 Standard. RoHS Compliant.

ORDERING GUIDE

EXAMPLE: ZXA16-IR1SG-ABL-120V05W-27A-GSA-LVR-MHJB-06-BRZ

MODEL	PHYSICAL OPTIONS			MATERIAL / FINISH		POWER		LIGHT	
ZXA16	IR1	S							
ZX16 Adapt Series 2.25" Accent Light Integrated HK LED	IR1 Line Voltage, Round Accent Integrated Driver	S Standard	G Adjustable Hood: Integrated Angled Glare Shield	ABL Aluminum Black	VOLTAGE	120V 120V (Phase Control)	05W 5 Watt (400lm)	CCT	A Adjustable Beam (14°-70°)
			F Adjustable Hood: Flush Lens	ABR Aluminum Bronze					
				AWH Aluminum White				30 3000K	
				AAC Aluminum Anodized Clear ¹				35 3500K	
				NBR Natural Brass ¹				40 4000K	
				NCU Natural Copper ¹					
				NSS Natural Stainless Steel ¹					
				CCC Custom Finish ¹					

 Readymade eligible configurations ship in 2 to 4 weeks
¹ Consult factory for specialty finish quoting and lead times.

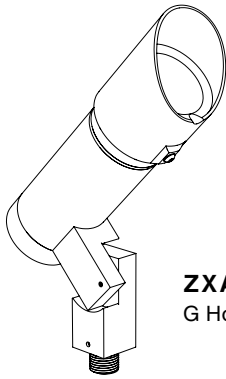
OPTIONAL INSTALLED ACCESSORIES

MOUNTING (Most common listed, see Page 4 for additional options)

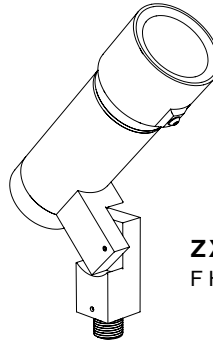
GROUND MOUNT	
MHJB-06-BRZ	6" Stainless Steel 3-Prong Spike (120-277V) Bronze
MHJB-12-BRZ	12" Stainless Steel 3-Prong Spike (120-277V) Bronze
JB-1	Brass In-ground Junction Box
CANOPY MOUNT	
CM1-XXX	3.75" Square Canopy Plate
CM3-XXX	4.75" Square Canopy Plate
CM5-XXX	5" Round Canopy Plate
CM5-2-XXX	5" Round Canopy Plate - Double
SURFACE MOUNT	
CB4.0-XXX	4" Round Surface Box
CB5.5-XXX	5.5" Round Surface Box
TREE MOUNT	
TM07-JBS-XXX	Single Aluminum Tree Mount Box with Stainless Steel Strap (120V)
TM07-JBT-XXX	Twin Aluminum Tree Mount Box with Stainless Steel Strap (120V)
EXTENSIONS	
EX-12-XXX	12" Extension
EX-24-XXX	24" Extension
EL-XXX	Elbow Extension

- Consult Accessory Spec Sheet for desired option code.
- XXX represents color option.
- Readymade options available in ABL and ABR only unless noted by the part code above.

PRODUCT DRAWINGS

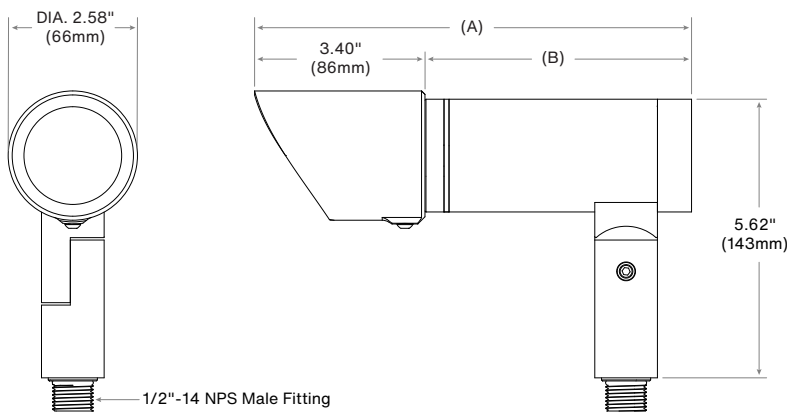


ZXA16-IR1SG
G Hood

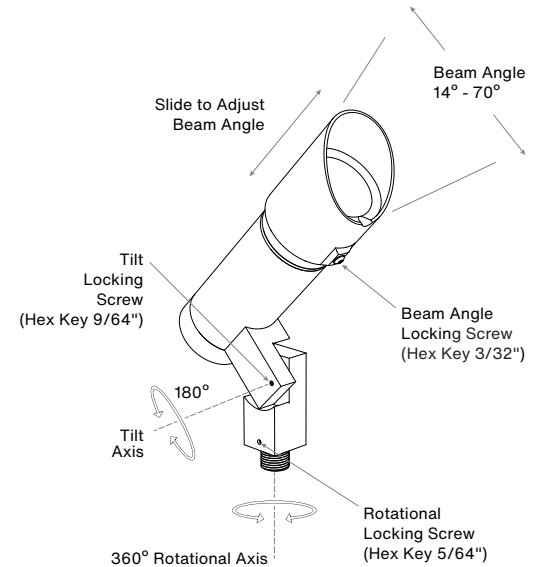


ZXA16-IR1SF
F Hood

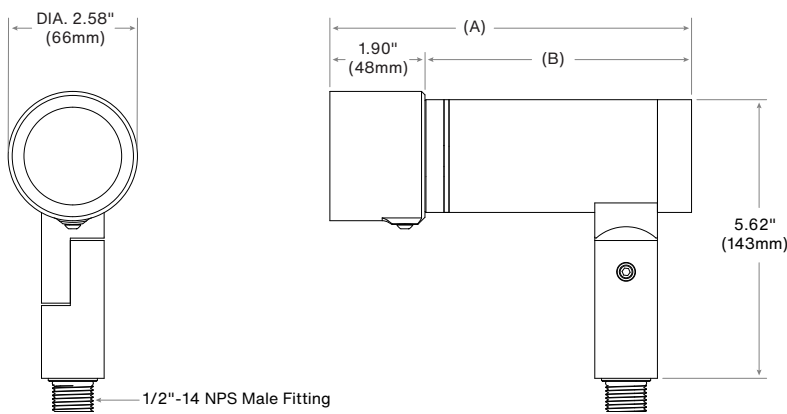
ZXA16-0C1SG



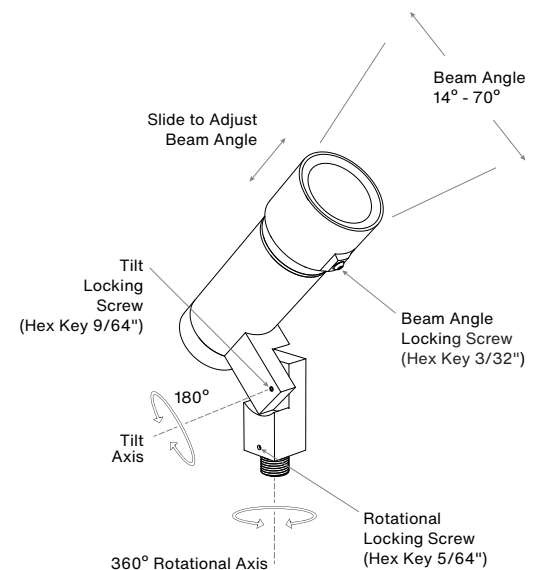
Beam Angle (FWHM)	Dimension (A)	Dimension (B)
70	8 3/4" / 221mm	5 5/16" / 135mm
50	8 15/16" / 226mm	5 1/2" / 140mm
35	9 1/8" / 232mm	5 11/16" / 145mm
25	9 5/16" / 237mm	5 15/16" / 150mm
14	9 13/16" / 248mm	6 3/8" / 162mm



ZXA16-0C1SF

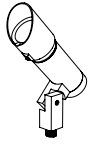


Beam Angle (FWHM)	Dimension (A)	Dimension (B)
70	7 3/16" / 183mm	5 5/16" / 135mm
50	7 7/16" / 188mm	5 1/2" / 140mm
35	7 5/8" / 194mm	5 11/16" / 145mm
25	7 13/16" / 199mm	5 15/16" / 150mm
14	8 1/4" / 210mm	6 3/8" / 162mm



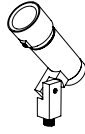
OPTIONS & ACCESSORIES

HOOD OPTIONS



G HOOD

Weeping hood style includes an integrated Angled Glare Shield. Locking screw sets the beam angle.

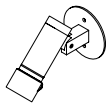


F HOOD

Weeping style hood with a Flush Lens. This style prevents any liquid or debris from settling on the lens making it ideal for heavy debris fall or limited maintenance applications. Locking screw sets the beam angle.

MOUNTING ACCESSORIES

Canopy Mount:



Fixture On CM5



CM1



CM3



CM5

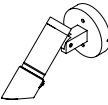


CM5-2



CM2

Surface Mount Box:



Fixture On CB5.1



CB4.0



CB5.5



CB3.5



CB4.0-SQ

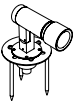


CB5.1



CB5.5-2K

Ground Mount:



Fixture On MHJB-06



MHJB-06

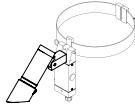


MHJB-12

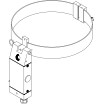


JB-1

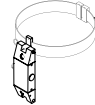
Tree Mount:



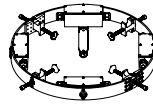
Fixture On TM07-JBS



TM07-JBS

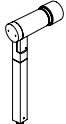


TM07-JBT



TS-SO

Extension:



Fixture With EX



EX



EL



ET

Sign Light Arm: Please reference the Sign & Pole Mounting section in [Accessories](#) on our website.

Readymade eligible configurations ship in 2 to 4 weeks.

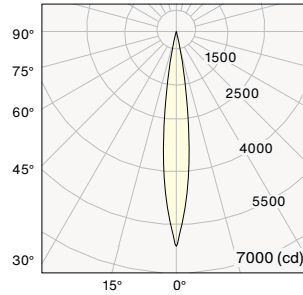
Notes:

PHOTOMETRY & ENERGY DATA

ZXA16 (Very Narrow)

Input Power	11.5W
Color Temperature (CCT)	3000K
Color Rendering Index (Ra)	90+
Beam Angle	14°
Max. Candlepower	6132cd
Delivered Lumens	450lm
Efficacy	39lm/W

Polar Graph - Intensity



Cone of Light - Illuminance

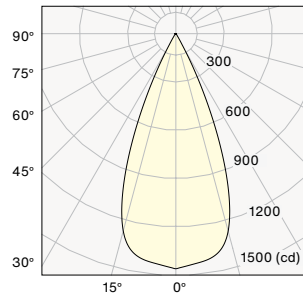
Light Level (fc)	Beam Diameter	Mtg Height
1533.11	0.48'	2.0'
383.28	0.95'	4.0'
170.35	1.43'	6.0'
95.82	1.90'	8.0'
61.32	2.38'	10.0'

1/2 Beam Angle: 14°

ZXA16 (Medium)

Input Power	11.5W
Color Temperature (CCT)	3000K
Color Rendering Index (Ra)	90+
Beam Angle	44°
Max. Candlepower	1467cd
Delivered Lumens	711lm
Efficacy	62lm/W

Polar Graph - Intensity



Cone of Light - Illuminance

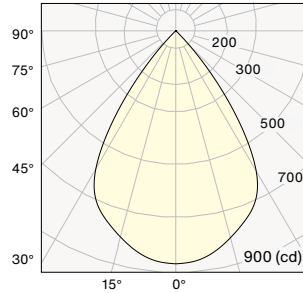
Light Level (fc)	Beam Diameter	Mtg Height
366.67	1.60'	2.0'
91.67	3.21'	4.0'
40.74	4.81'	6.0'
22.92	6.42'	8.0'
14.67	8.02'	10.0'

1/2 Beam Angle: 44°

ZXA16 (Extra Wide)

Input Power	11.5W
Color Temperature (CCT)	3000K
Color Rendering Index (Ra)	90+
Beam Angle	69°
Max. Candlepower	870cd
Delivered Lumens	943lm
Efficacy	82lm/W

Polar Graph - Intensity



Cone of Light - Illuminance

Light Level (fc)	Beam Diameter	Mtg Height
217.57	2.74'	2.0'
54.39	5.48'	4.0'
24.17	8.22'	6.0'
13.60	10.96'	8.0'
8.70	13.70'	10.0'

1/2 Beam Angle: 69°

WATTAGE MULTIPLIER

Wattage	Multiplier
5 Watt	0.53
7 Watt	0.83
10 Watt	1.00

CCT MULTIPLIER

Color Temp.	Multiplier
2700k	0.97
3000k	1.00
4000k	1.05