



illuminate & elevate

RESIDENTIAL LIGHTING



Introducing Artafex Outdoor

Our Residential Lighting collection has been thoughtfully designed to elevate landscapes, making it an ideal choice for discerning homeowners and integrators alike. Each fixture is built to order based on your selections and ships within 2 to 4 weeks.

Integrating Excellence

We bring the same promise that we've kept with professional lighting designers — a fusion of timeless design, unparalleled quality, and enduring performance.



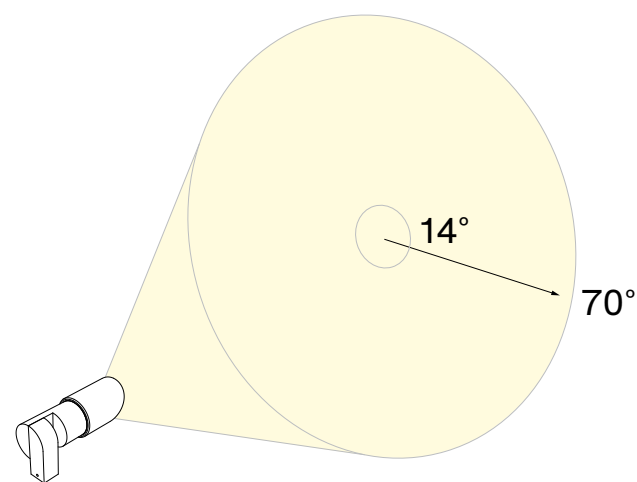
Elevate the Everyday

Paint with light to focus attention and accentuate natural beauty. Our lighting seamlessly integrates with your chosen controls, guaranteeing synchronized and elevated experiences for both residents and guests.



Lifetime Performance in Tough Environments

Our marine-grade, corrosion-resistant, and watertight construction guarantees top-tier light performance and longevity for the life of your project.



Field-adjustable Beam Angles

ARTOAL16: The newest addition to our residential lighting collection, empowers homeowners and integrators to effortlessly highlight specific landscape or architectural features.



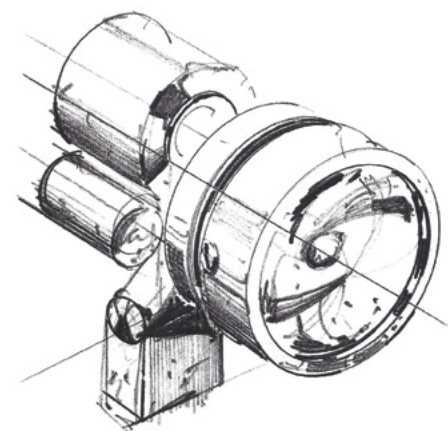


Beyond Illumination

With superior light quality and projection, our low field-angle reflector puts light exactly where it's needed, eliminating hot spots. The fully adjustable Glare Shield adds precision and control.

Intelligent Design

- Fully adjustable glare shield design.
- Swivel/lock system ensures maximum adjustability and durability.
- Modular LED designs adapt to your changing outdoor needs.
- Hydrophobic lens coating and thoughtful weep holes prevent water and debris buildup.
- Includes 36" lead wires and LightingShrink® connectors for fast and watertight installation.
- Easy to service while staying watertight.





Factory-Tested for Reliability

Every fixture is IP67 rated and rigorously tested for water tightness and performance before shipping.



Tailored Lighting for Your Project

Configure products for application, light distribution, CCT, and mounting hardware.





ARTOAL08

Use our compact ARTOAL08 for smaller features and when lower light levels are preferred.

Accent & Landscape

Our small but capable accent lights range in size from 1.25 to 2.25" in diameter ensuring you experience the light and not the fixture.



ARTOAL11

The ARTOAL11, with integrated HK LED, uses a sleek and compact footprint to deliver beautiful and effective light for many accent and general landscape lighting needs.



Accent & Landscape



ARTOAL16

Looking for more power and flexibility, choose our new ARTOAL16 with integrated HK LED and Adjustable Beam technology to target specific landscape or architectural elements effortlessly.



ARTOA16

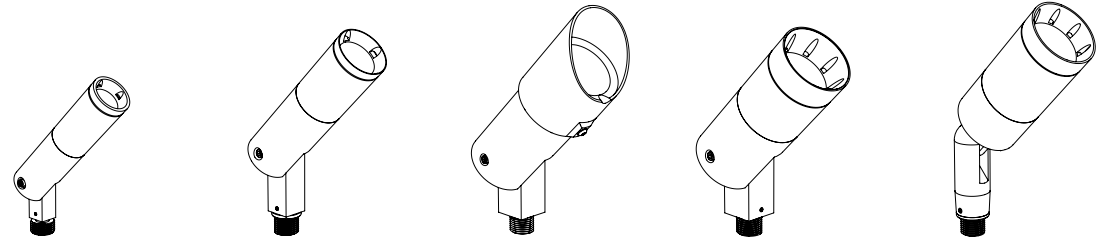
ARTOA16 Center Pivot



Our ARTOA16 models, with on-board SORAA LED Lamp technology, are the workhorses for residential outdoor architectural and landscape environments.

Choose our celebrated modern side pivot design or more traditional center pivot aesthetic. Both versions deliver exceptional light and lamp flexibility.

Accent & Landscape



	ARTOAL08	ARTOAL11	ARTOAL16	ARTOA16	ARTOA16 CP
Size	1.25" dia.	1.65" dia.	2.25" dia.	2.25" dia.	2.25" dia.
Style	Side Pivot	Side Pivot	Side Pivot	Side Pivot	Center Pivot
Aimability	240° vertical 360° horizontal	240° vertical 360° horizontal	240° vertical 360° horizontal	240° vertical 360° horizontal	240° vertical 360° horizontal
Voltage	12V	12V	12V	12V	12V
Watts (Lumens)	3W (200lm)	7W (675 lm)	5W (500lm) 10W (950lm)	7.5W (640 lm)	7.5W (640lm)
Light Engine	HK LED	HK LED	HK LED	SORAA LED	SORAA LED
Light Quality	90 CRI 2700K or 3000K	90 CRI 2700K or 3000K	90 CRI 2700K or 3000K	90 CRI 2700K or 3000K	90 CRI 2700K or 3000K
Optics	Medium Optic Kit (OPK-08) includes Narrow, Medium, Wide	Medium Optic Kit (OPK-11) includes Narrow, Medium, Wide	Adjustable Beam (14° - 70°)	Very Narrow (SORAA Snap Lens System)	Very Narrow (SORAA Snap Lens System)
Glare Shields	Angled Glare Shield Available	Angled Glare Shield Available	Angled Glare Shield Included	Angled Glare Shield Available	Angled Glare Shield Available
Dimming	MLV	MLV	MLV	MLV	MLV
Rated LED Life:	50,000 hours	50,000 hours	50,000 hours	35,000 hours	35,000 hours



ARTOAL08

Discrete 1.25" accent light ideal for highlighting small plants or for in-tree and architectural mounting. Maintenance-free HK LED ensures long life.



ARTOAL11

Compact 1.65" accent light delivers strong illumination for residential trees and architectural elements. Reliable HK LED offers 50,000 hours of performance.



ARTOAL16

Versatile 2.25" accent light delivers up to 10W (950lm) with HK LED. Adjustable Beam Optic (14°-70°) and an integrated Angled Glare Shield eliminate spill light and ensure precise and adaptable architectural and landscape illumination for years to come.



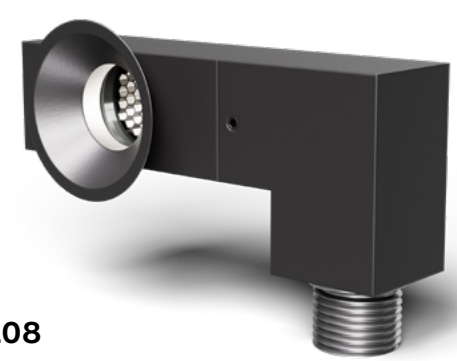
ARTOA16

2.25" accent lights with included SORAA® MR16 LED lamp for superior light quality and life. Modern side pivot designs.



ARTOA16 Center Pivot

2.25" accent lights with included SORAA® MR16 LED lamp for superior light quality and life. Traditional center pivot designs.



ARTOFLO8

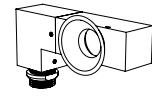
Flood & Wall Wash

Whether illuminating soft structured ground plants or broad architectural features, our flood light and wall wash offering combines their small footprints and capable LED.

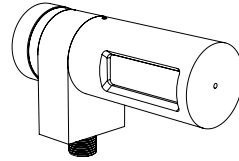


ARTOFL16

Flood & Wall Wash



ARTOFL08



ARTOFL16

Size	1.13" dia.	2.25" dia.
Illumination Style	Short throw, even illumination	Longer throw, even illumination
Aimability	360° vertical 360° horizontal	360° vertical 360° horizontal
Voltage	12V	12V
Watts (Lumens)	3W (100lm)	8W (250lm)
Light Engine	HK LED	HK LED
Light Quality	90 CRI 2700K or 3000K	90 CRI 2700K or 3000K
Glare Shields	Included	N/A
Dimming	MLV	MLV
Rated LED Life:	50,000 hours	50,000 hours



ARTOFL08

This discrete 1" square flood light throws a broad pool of soft illumination a short distance from its mounting position. The integrated glare shield minimizes fixture visibility making it a perfect solution for arid landscape plantings and small architectural features.



ARTOFL16

Compact yet powerful, this 2" versatile floodlight throws strong and even light distribution. It can be used on its own or with several to highlight architectural walls and large hedges or areas of similar landscape, where even lighting is preferred.





Path & Bollard

With expertly crafted materials and timeless design, these fixtures accentuate and illuminate while enhancing wayfinding and safety. Their tiny 1" diameter profiles and quality optics ensure focused light with discretion.



ARTOPLMB-R2

ARTOPLMB-R1

Path & Bollard

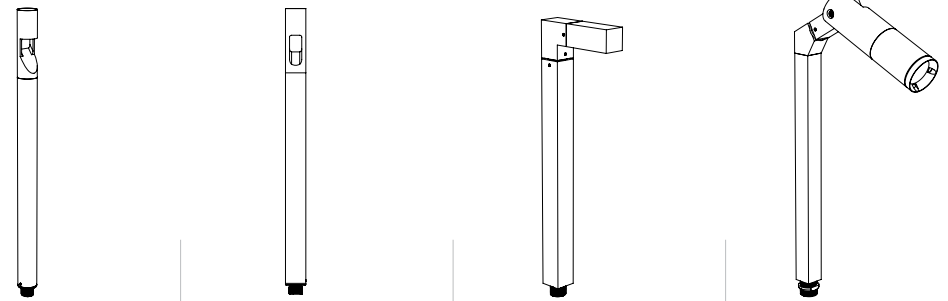
ARTOPLLT



ARTOPL11



Path & Bollard



	ARTOPLMB-R1	ARTOPLMB-R2	ARTOPLLT	ARTOPL11
Size	1.25" dia. / 18" high	1.25" dia. / 18" high	1.13" dia. 12 or 24" high	1.65" dia. 12 or 24" high
Illumination Style	180° one-sided even illumination	Two-sided high contrast illumination	360° even illumination	Directional illumination
Aimability	360° horizontal	360° horizontal	360° vertical 360° horizontal	240° vertical 360° horizontal
Voltage	12V	12V	12V	12V
Watts (Lumens)	3W (50lm)	3W (50lm)	3W (125lm)	7W (675lm)
Light Engine	HK LED	HK LED	HK LED	HK LED
Light Quality	90 CRI 2700K or 3000K	90 CRI 2700K or 3000K	90 CRI 2700K or 3000K	90 CRI 2700K or 3000K
Glare Shields	N/A	N/A	N/A	Angled Glare Shield Available
Dimming	MLV	MLV	MLV	MLV
Rated LED Life:	50,000 hours	50,000 hours	50,000 hours	50,000 hours



ARTOPLMB-R1

Elegant 1" round mini post light delivers a smooth 180° field of illumination. Perfect for lighting both pathways and lower height plants and ground cover. Thoughtful design minimizes fixture footprint and provides a beautiful alternative to traditional 'top hat' applications.



ARTOPLMB-R2

Strikingly beautiful 1" round mini post light delivers fields of illumination from both sides of the fixture. Perfect for modern designs where high contrast lighting solutions are preferred.



ARTOPLLT

Simple and elegant 1" square design delivers a smooth 360° pool of illumination. Available in both 12" and 24" heights and highly complements modern residential designs.



ARTOPL11

Essentially our 1.65" versatile ARTOAL11 accent light on a stick, this path light provides directional light that can cross wide paths, accent signage, and areas of interest like architectural details and artwork.



Accessories

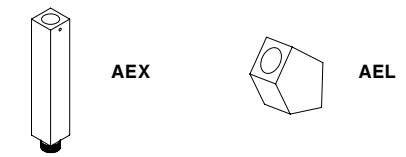


Keeping with our tradition of working closely with the lighting design community, we offer a multitude of accessories to simplify mounting and installation in any application.

GLARE SHIELD



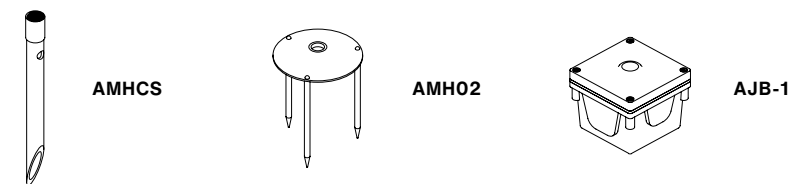
EXTENSIONS



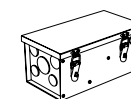
CANOPY MOUNTS / SURFACE BOXES



GROUND MOUNTS / SPIKES



TRANSFORMER, WIRING



Magnitude Otter™ Landscape Transformer Series 300W, 120V input, multi-tap output, with light sensor and surge protection. (11.46"h x 6.132" w x 5.69"d)

ATXM-300-OTR-SS



LightingShrink® Crimper
ALSC-CR



LightingShrink® Connector, Small (Blue) - 20 pack
ALSC-SM20



LightingShrink® Connector, Medium (Yellow) - 20 pack
ALSC-MD20



“I am creating a paintbrush to draw light effects and art on a landscape canvas.”

Hiroshi Kira, Founder HK Lighting



Professional grade lighting now available
for your residential applications.

How can we help illuminate
your next project?

HK LIGHTING

2151 Anchor Ct,
Thousand Oaks, CA 91320
805.480.4881

dealers@hklighting.com
hklighting.com