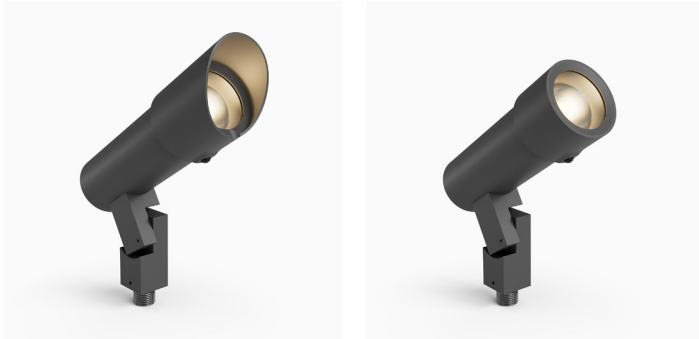


ZXA16-I

INSTALLATION, MAINTENANCE & SERVICE

ACCENT & LANDSCAPE | ZX16 Adapt Series
14W (500 - 950lm) | 120V - 227V | HK LED



Materials

6061-T6 Machined aluminum
304 stainless steel hardware

Fitting

1/2"-14 NPS male thread

Dimming

120V - Phase dimming
120V-277V - 0V-10V dimming

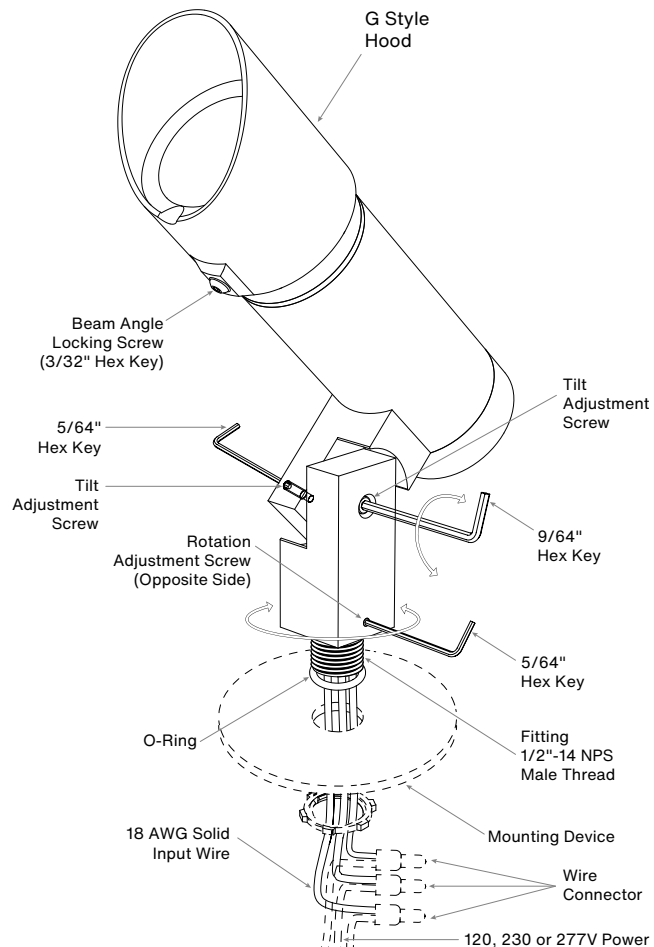
Installation and Adjustment



TURN OFF POWER BEFORE AND DURING WIRING TO POWER SUPPLY

Installation/Service must be done by a qualified electrician, and compliant with NEC and Local Codes.

- 1 Secure the fixture fitting to the 1/2"-14 NPS female thread on mounting device (plate, box, spike, etc.).
- 2 Connect 18 AWG solid input wires to the 120V, 230V, or 277V power source using appropriate wire connectors.
- 3 Secure the mounting device with the fixture to mounting surface. For HK original mounting accessory, see the individual instruction for further detail of the installation.
- 4 To adjust tilting position of fixture, loosen tilt adjustment screw with 9/64" hex key, aim the fixture body and tighten the screw to secure the fixture in place. Do not tighten more than necessary.
- 5 To adjust rotating position of the fixture, loosen rotation adjustment screw with 5/64" hex key, aim the fixture stem and tighten the screw to secure the fixture in place. Do not tighten more than necessary.

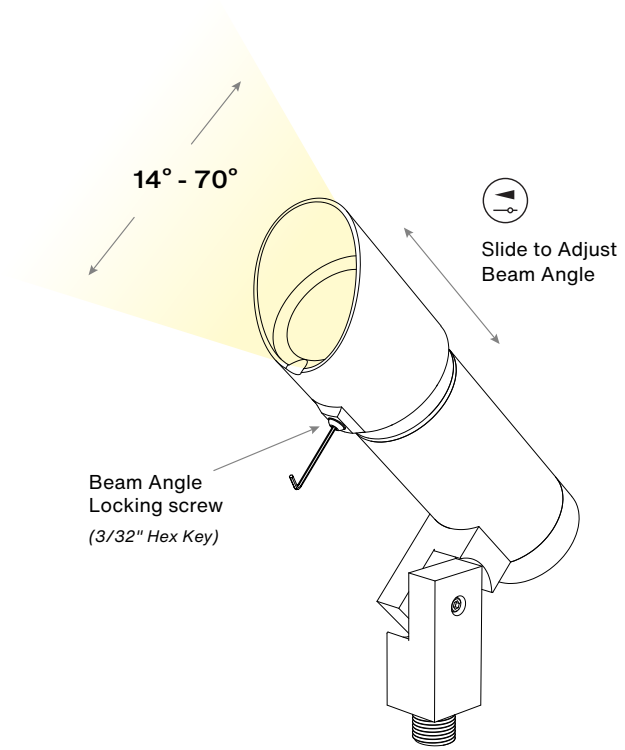


Beam Angle Adjustment

- 1 Use a 3/32" hex key to loosen the locking screw.
- 2 Slide the hood forward for the smallest beam or backward for the largest.
- 3 Secure the locking screw to ensure watertightness.

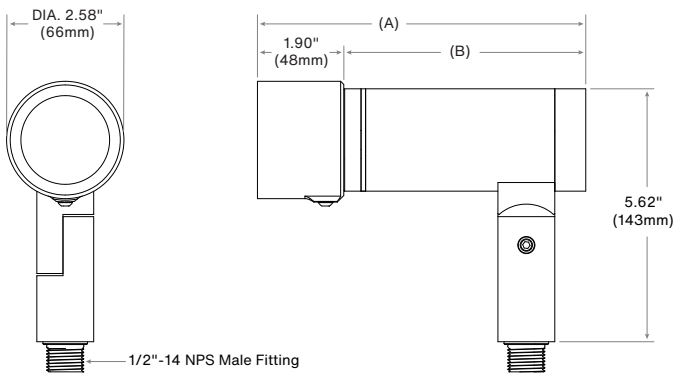
For Specified Preset Beam Angles

Use a ruler to match the desired beam angle with the corresponding measurements in tables below.



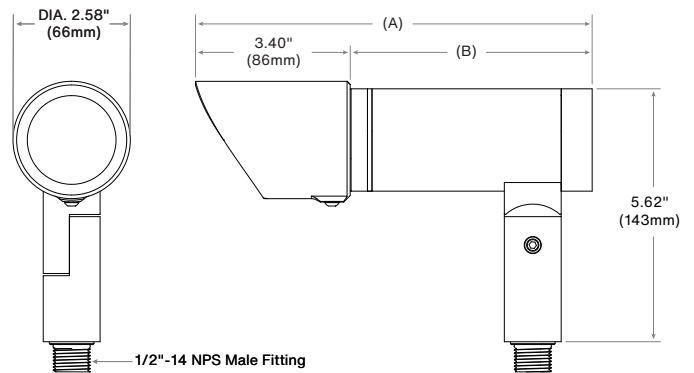
Preset Beam Angle Adjustment

F HOOD



Beam Angle (FWHM)	Dimension (A)	Dimension (B)
70	7 3/16" / 183mm	5 5/16" / 135mm
50	7 7/16" / 188mm	5 1/2" / 140mm
35	7 5/8" / 194mm	5 11/16" / 145mm
25	7 13/16" / 199mm	5 15/16" / 150mm
14	8 1/4" / 210mm	6 3/8" / 162mm

G HOOD



Beam Angle (FWHM)	Dimension (A)	Dimension (B)
70	8 3/4" / 221mm	5 5/16" / 135mm
50	8 15/16" / 226mm	5 1/2" / 140mm
35	9 1/8" / 232mm	5 11/16" / 145mm
25	9 5/16" / 237mm	5 15/16" / 150mm
14	9 13/16" / 248mm	6 3/8" / 162mm

Lamp and Reflector Replacement



TURN OFF POWER AND KEEP FIXTURE COOL DURING MAINTENANCE SERVICE

- 1** Loosen the beam angle locking screw and slide the hood forward to expose fixture body.
- 2** Rotate the fixture body counter-clockwise to access the LED module.
- 3** Rotate the LED module assembly counter-clockwise to remove it from the body.
- 4** Replace LED module screwing clockwise.
- 5** Reconnect fixture body screwing clockwise.
- 6** Slide the hood back to reset your beam angle visually or using the table provided.
- 7** Secure the beam angle locking screw to fix in place and ensure watertightness.

