

ZXA16 Center Pivot

INSTALLATION, MAINTENANCE & SERVICE

ACCENT & LANDSCAPE | ZX16 Adapt Series

5 - 10W (500 - 950lm) | 12V | HK LED



Materials

6061-T6 Machined aluminum
304 stainless steel hardware

Fitting

1/2"-14 NPS male thread

Dimming

MLV / ELV

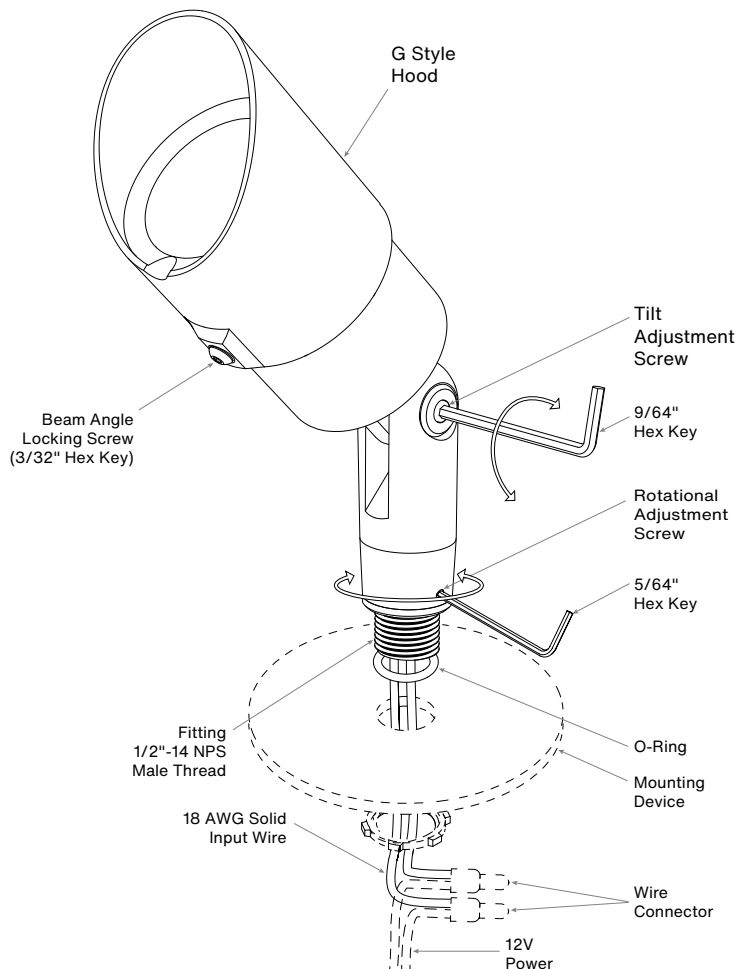
Installation and Adjustment



TURN OFF POWER BEFORE AND DURING WIRING TO POWER SUPPLY

Installation/Service must be done by a qualified electrician, and compliant with NEC and Local Codes.

- 1 Secure the fixture fitting to the 1/2"-14 NPS female thread on mounting device (plate, box, spike, etc.).
- 2 Connect 18 AWG solid input wires to the 12V power source using appropriate wire connectors.
- 3 Secure the mounting device with the fixture to mounting surface. For HK original mounting accessory, see the individual instruction for further detail of the installation.
- 4 To adjust tilting position of fixture, loosen tilt adjustment screw with 9/64" hex key, aim the fixture body and tighten the screw to secure the fixture in place. Do not tighten more than necessary.
- 5 To adjust rotating position of the fixture, loosen rotation adjustment screw with 5/64" hex key, aim the fixture stem and tighten the screw to secure the fixture in place. Do not tighten more than necessary.



ZXA16 Center Pivot

Accent & Landscape • ZX16 Adapt Series

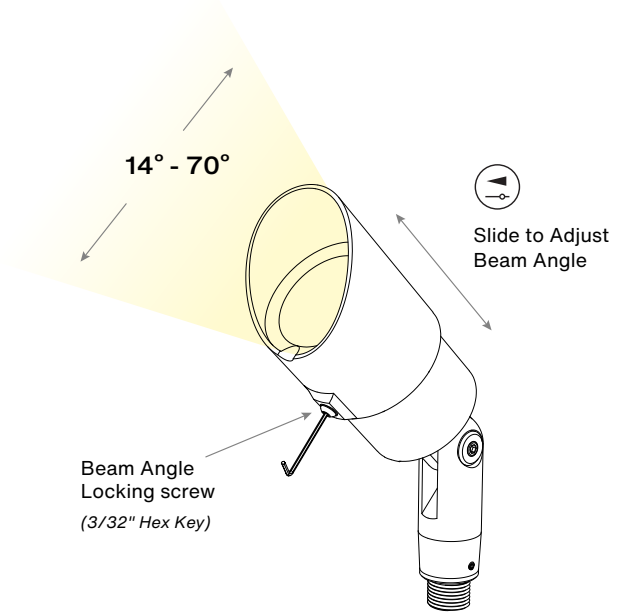
INSTALLATION,
MAINTENANCE & SERVICE

Beam Angle Adjustment

- 1 Use a 3/32" hex key to loosen the locking screw.
- 2 Slide the hood forward for the smallest beam or backward for the largest.
- 3 Secure the locking screw to ensure watertightness.

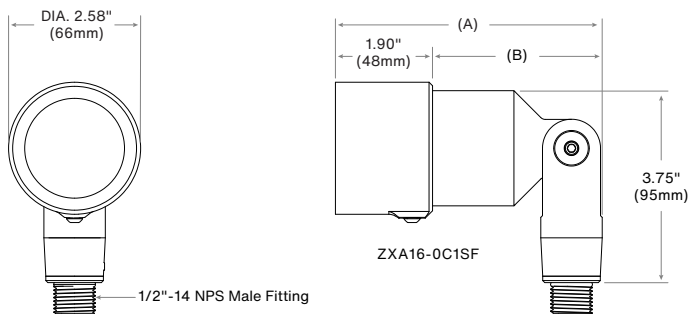
For Specified Preset Beam Angles

Use a ruler to match the desired beam angle with the corresponding measurements in tables below.

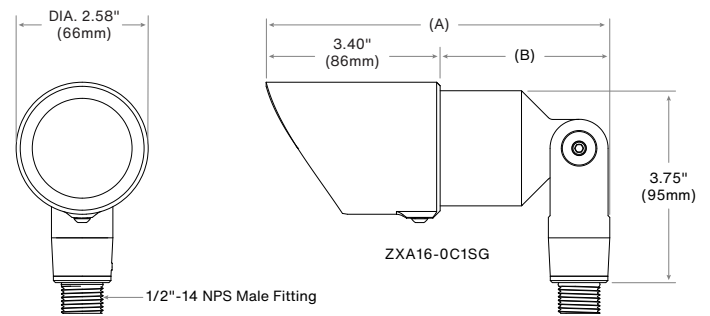


Preset Beam Angle Adjustment

F HOOD



G HOOD



Beam Angle (FWHM)	Dimension (A)	Dimension (B)
70	5 3/16" / 132mm	3 5/16" / 84mm
50	5 7/16" / 137mm	3 1/2" / 89mm
35	5 5/8" / 142mm	3 11/16" / 94mm
25	5 13/16" / 148mm	3 15/16" / 100mm
14	6 1/4" / 159mm	4 3/8" / 111mm

Beam Angle (FWHM)	Dimension (A)	Dimension (B)
70	6 3/4" / 171mm	3 5/16" / 84mm
50	6 15/16" / 176mm	3 1/2" / 89mm
35	7 1/8" / 181mm	3 11/16" / 94mm
25	7 5/16" / 186mm	3 15/16" / 100mm
14	7 13/16" / 198mm	4 3/8" / 111mm

Lamp and Reflector Replacement



TURN OFF POWER AND KEEP FIXTURE COOL DURING MAINTENANCE SERVICE

- 1** Loosen the beam angle locking screw and slide the hood forward to expose fixture body.
- 2** Rotate the fixture body counter-clockwise to access the LED module.
- 3** Rotate the LED module assembly counter-clockwise to remove it from the body.
- 4** Replace LED module screwing clockwise.
- 5** Reconnect fixture body screwing clockwise.
- 6** Slide the hood back to reset your beam angle visually or using the table provided.
- 7** Secure the beam angle locking screw to fix in place and ensure watertightness.

