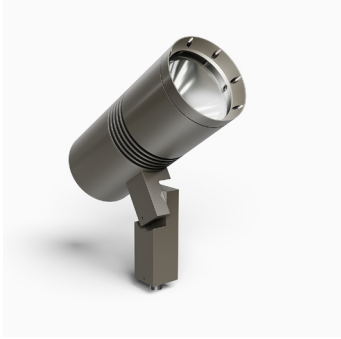


# ZXL38-I

## INSTALLATION, MAINTENANCE & SERVICE

ACCENT & LANDSCAPE | ZX38 Series

54W (5000lm) | 120V - 277V | HK LED, RGBW, Amber



### Materials

6061-T6 Machined aluminum  
304 stainless steel hardware

### Fitting

1/2"-14 NPS male thread

### Dimming

120V - Phase dimming  
120V-277V - 0V-10V dimming

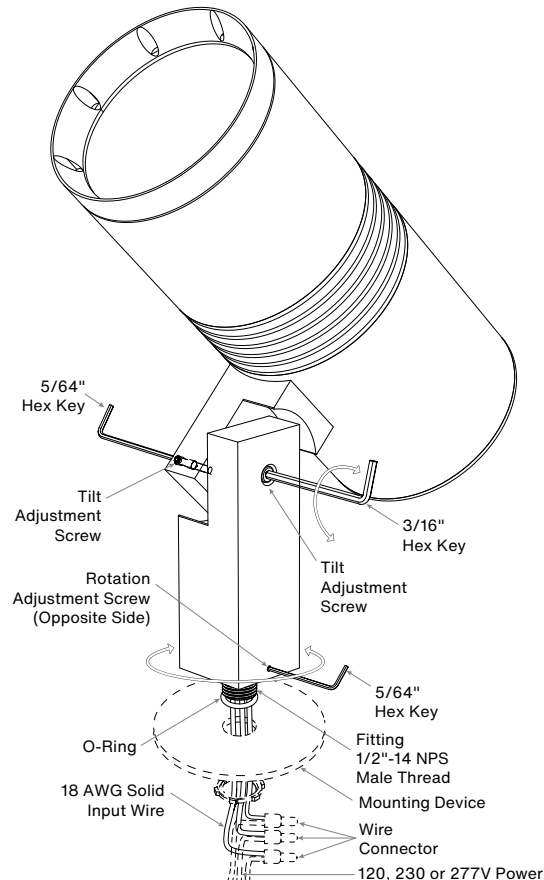
## Installation and Adjustment



### TURN OFF POWER BEFORE AND DURING WIRING TO POWER SUPPLY

*Installation/Service must be done by a qualified electrician, and compliant with NEC and Local Codes.*

- 1 Secure the fixture fitting to the 1/2" - 14 NPS female thread on mounting device (plate, box, spike, etc.).
- 2 Connect 18 AWG solid input wires to the 120V, 230V or 277V power source using appropriate wire connectors.
- 3 Secure the mounting device with the fixture to mounting surface. For HK original mounting accessory, see the individual instruction for further detail of the installation.
- 4 To adjust tilting position of fixture, loosen tilt adjustment screw with 3/16" hex key & 5/64" hex key, aim the fixture body and tighten the screw to secure the fixture in place. Do not tighten more than necessary.
- 5 To adjust rotating position of the fixture, loosen rotation adjustment screw with 5/64" hex key, aim the fixture stem and tighten the screw to secure the fixture in place. Do not tighten more than necessary.

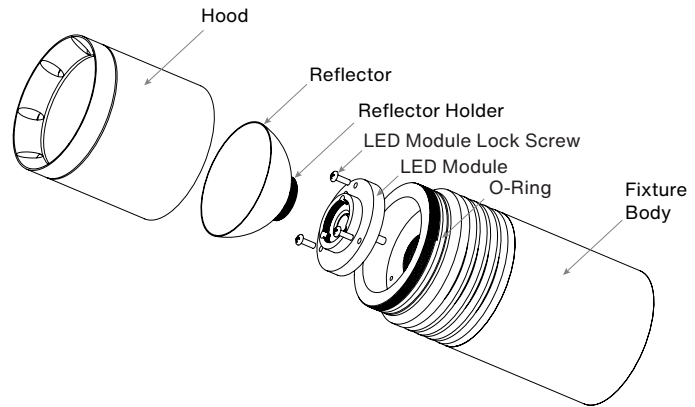


## Lamp and Reflector Replacement

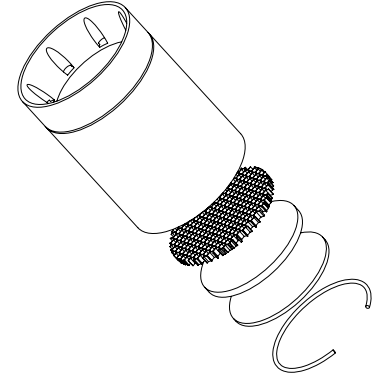
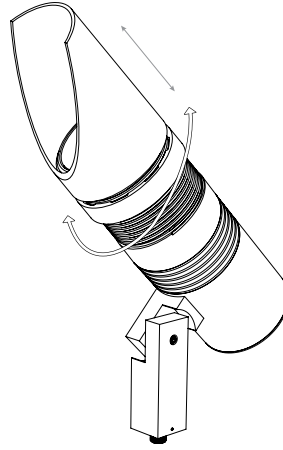
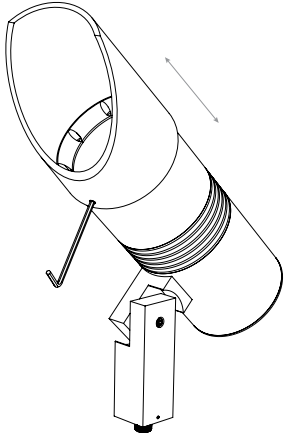


**TURN OFF POWER AND KEEP FIXTURE COOL DURING MAINTENANCE SERVICE**

- 1** Rotate hood counter-clockwise to remove it from fixture body, and access the LED module and reflector assembly.
- 2** Unscrew the reflector from the LED module by rotating the reflector counter-clockwise.
- 3** Remove the 3X LED module lock screws by using a phillips head screwdriver, then unscrew the LED module from the fixture body by rotating the module counter-clockwise.
- 4** Install the new LED module and rotate the LED module clockwise until it is securely in place. Then gently loosen the module align the screw holes. and replace the 3X screws. Replace the reflector onto the LED module.
- 5** Replace the fixture hood onto the fixture body. Make sure the O-ring is in the proper groove on the fixture body, to form a watertight seal.



## Glare Shield Adjustment & Optical Accessory Setting



### Glare Shield Setting For A&B Hood

- 1 Use the 5/64" hex key to loosen the screw (8-32 UNC set screw) on the bottom of the glare shield. Move the glare shield to the desired position, and tighten the screw (⚠ do not overtighten).

### Glare Shield Setting For C Hood

- 1 Rotate the locking ring clockwise to move to the desired position.
- 2 Rotate the glare shield clockwise and move to the locking ring.
- 3 Lock the glare shield in place by rotating the locking ring counter-clockwise.

### For Optical Accessory Setting

- 1 Rotate hood counter-clockwise and remove it from the body.
- 2 The hood accepts up to 3 accessories (hexcel louver, optical lenses, dichroic color filters, etc.). Secured in place with metal snap ring.
- 3 Pull out the snap ring from the hood.
- 4 Install or replace the accessory by placing it into the hood.
- 5 Replace the snap ring into the hood and push it into the groove (inside of the hood).
- 6 Rotate the hood clockwise to secure it back onto the body. Make sure the O-ring is in the proper groove on the fixture body, to form a watertight seal.